

THE
COMPLETE
HÄFFELE



Architectural Hardware
American Standard





1

Hinges

Butt Hinges _____	1.3 - 1.7
Butt Hinges Options _____	1.8 - 1.10
General Hinge Information _____	1.11 - 1.17
Detention Hinges _____	1.18 - 1.21
Continuous Hinges _____	1.22 - 1.29
Solid Brass Hinges _____	1.30 - 1.34



2

Door Closers

Door Closers _____	2.3 - 2.7
Closer Accessories _____	2.8 - 2.14



3

Exit Devices

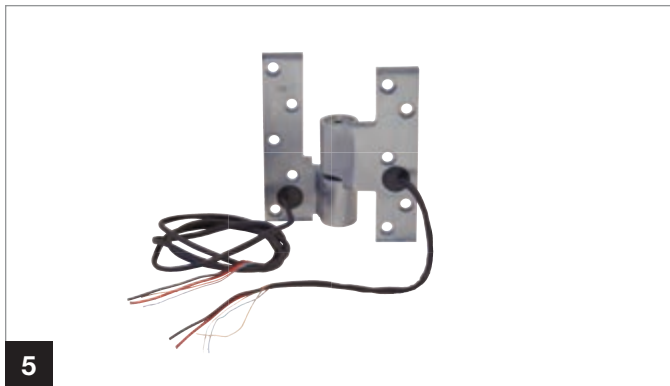
8000 Series _____	3.3 - 3.20
8000 Series Trim _____	3.21 - 3.31
5000 Series _____	3.34 - 3.39
5000 Series Trim _____	3.40



4

Locksets

5000 Series (Grade 1 Cylindrical)	4.3 - 4.5
5300 Series (Grade 2 Cylindrical)	4.6 - 4.10
8700 Series (Grade 1 Mortise)	4.11 - 4.21
4700 Series (Small Case Mortise)	4.22
3000 Series (Tubular)	4.23 - 4.28
500 Series (Deadbolts)	4.29
Cylinders and Keying Information	4.30 - 4.32



5

Electrified Products

Mortise Locks, Exit Devices	5.3 - 5.9
Power Supplies	5.10 - 5.13
Hinges	5.14 - 5.15
Door Loops and Wall Magnets	5.16 - 5.17



6

Flatware and Accessories

Flatware and Accessories	6.3 - 6.6
Kickplates, Pictogram Plates and Coordinators	6.7 - 6.10
Flush Bolts	6.11 - 6.16

THINKING AHEAD IN PROJECT BUSINESS



It's always our goal to be an invaluable partner to you every step of the way. We want to inspire you in all of your projects to bring something new and innovative. Within these pages we seek to bring you everything you need for your next commercial project. Turn to us, the experts, whether you're an architect, developer, designer, project manager or general contractor.

Hardware, lighting or anything in between—your project can be designed down to the last detail with us. This selection of products and components instantly add uniformity and functionality to the space.

Häfele is the right partner for planning and implementing commercial projects of any scale and scope. The breadth of products and services offered also makes purchasing and accounting easy with one vendor billing and fulfillment.

From concept to completion, Häfele is your one-stop-shop for all your project needs.

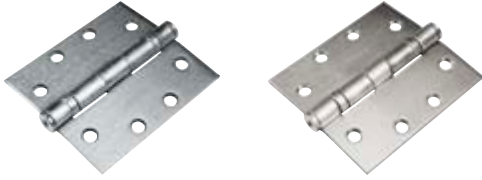


1

HÄFELE

HINGES





Butt Hinges - Full Mortise

Standard Weight - 5 Knuckle 2 Ball Bearing	1.3
Standard Weight - Concealed 3 Knuckle	1.4
Heavy Weight - 5 Knuckle 4 Ball Bearing	1.5
Heavy Weight - Concealed 3 Knuckle	1.6
Standard Weight - 5 Knuckle 2 Ball Bearing Economy	1.7
Standard Weight - Spring Hinge	1.7
Hinge Options	1.8 - 1.10
General Information	1.11 - 1.17



Detention Hinges

Detention Hinges and Pulls	1.18 - 1.21
----------------------------	-------------



Continuous Hinges

Full Mortise	1.22
Mortise Full Wrap	1.23
Mortise Full Wrap Extended	1.24
Mortise Half Wrap	1.25
Half Mortise	1.26
Half Mortise with Guard	1.27
Swing Clear	1.28
Surface Mount	1.29



Solid Brass Hinges

Plain Bearing	1.30 - 1.31
Ball Bearing	1.32 - 1.34

Standard Weight Hinges

- > Area of application: Full mortise hinge for medium weight doors that have medium to high frequency service, suitable for hollow metal or wood doors
- > Certification: ANSI/BHMA A156.1 and A156.7
- > Optional Finishes: US26, US10B (minimum quantity required)

LH179BB 5 Knuckle 2 Ball Bearing Hinge



- > Material: Steel
- > Finish: 652 satin chrome-plated (US26D)

W x D	Thickness	Removable Pin	Non-removable Pin
4 1/2" x 4" (114 x 102 mm)	.134" (3.4 mm)	926.39.684	926.39.694
4 1/2" x 4 1/2" (114 x 114 mm)	.134" (3.4 mm)	926.39.704	926.39.714
5" x 4" (127 x 102 mm)	.146" (3.7 mm)	926.39.724	926.39.734
5" x 4 1/2" (127 x 114 mm)	.146" (3.7 mm)	926.39.744	926.39.754
5" x 5" (127 x 127 mm)	.146" (3.7 mm)	926.39.764	926.39.774

Standard Weight Hinges

- > Area of application: Full mortise hinge for medium weight doors that have medium to high frequency service, suitable for hollow metal or wood doors

LH191BB 5 Knuckle 2 Ball Bearing Hinge



- > Material: Stainless Steel
- > Finish: 630 satin stainless steel (US32D)

W x D	Thickness	Removable Pin	Non-removable Pin
4 1/2" x 4" (114 x 102 mm)	.134" (3.4 mm)	926.39.780	926.39.790
4 1/2" x 4 1/2" (114 x 114 mm)	.134" (3.4 mm)	926.39.800	926.39.810
5" x 4" (127 x 102 mm)	.146" (3.7 mm)	926.39.820	926.39.830
5" x 4 1/2" (127 x 114 mm)	.146" (3.7 mm)	926.39.840	926.39.850
5" x 5" (127 x 127 mm)	.146" (3.7 mm)	926.39.860	926.39.870

Dimensional data not binding. We reserve the right to alter specifications without notice.

Dimensions in mm
Inches are approximate

Standard Weight Hinges

- > Area of application: Full mortise hinge for medium weight doors that have medium to high frequency service, suitable for hollow metal or wood doors.
- > Certification: ANSI/BHMA A156.1 and A156.7
- > Optional Finishes: US26, US10B (minimum quantity required)

LH1379CB Concealed Bearing 3 Knuckle Hinge



- > Material: Steel
- > Finish: 652 satin chrome-plated (US26D)

W x D	Thickness	Removable Pin	Non-removable Pin
4 1/2" x 4" (114 x 102 mm)	.134" (3.4 mm)	926.39.900	926.39.901
4 1/2" x 4 1/2" (114 x 114 mm)	.134" (3.4 mm)	926.39.902	926.39.903
5" x 4" (127 x 102 mm)	.146" (3.7 mm)	926.39.904	926.39.905
5" x 4 1/2" (127 x 114 mm)	.146" (3.7 mm)	926.39.906	926.39.907
5" x 5" (127 x 127 mm)	.146" (3.7 mm)	926.39.908	926.39.909

Standard Weight Hinges

- > Area of application: Full mortise hinge for medium weight doors that have medium to high frequency service, suitable for hollow metal or wood doors

LH1391CB Concealed Bearing 3 Knuckle Hinge



- > Material: Stainless Steel
- > Finish: 630 satin stainless steel (US32D)

W x D	Thickness	Removable Pin	Non-removable Pin
4 1/2" x 4" (114 x 102 mm)	.134" (3.4 mm)	926.39.936	926.39.937
4 1/2" x 4 1/2" (114 x 114 mm)	.134" (3.4 mm)	926.39.938	926.39.939
5" x 4" (127 x 102 mm)	.146" (3.7 mm)	926.39.940	926.39.941
5" x 4 1/2" (127 x 114 mm)	.146" (3.7 mm)	926.39.942	926.39.943
5" x 5" (127 x 127 mm)	.146" (3.7 mm)	926.39.944	926.39.945

Dimensions in mm
Inches are approximate

Heavy Weight Hinges

- > Area of application: Full mortise hinge for heavy weight doors that have high frequency service, suitable for hollow metal or wood doors.
- > Certification: ANSI/BHMA A156.1 and A156.7
- > Optional Finishes: US26, US10B (minimum quantity required)

L168BB 5 Knuckle 4 Ball Bearing Hinge



- > Material: Steel
- > Finish: 652 satin chrome-plated (US26D)

W x D	Thickness	Removable Pin	Non-removable Pin
4 1/2" x 4" (114 x 102 mm)	.180" (4.6 mm)	926.39.880	926.39.881
4 1/2" x 4 1/2" (114 x 114 mm)	.180" (4.6 mm)	926.39.882	926.39.883
5" x 4" (127 x 102 mm)	.190" (4.8 mm)	926.39.884	926.39.885
5" x 4 1/2" (127 x 114 mm)	.190" (4.8 mm)	926.39.886	926.39.887
5" x 5" (127 x 127 mm)	.190" (4.8 mm)	926.39.888	926.39.889

Standard Weight Hinges

- > Area of application: Full mortise hinge for medium weight doors that have medium to high frequency service, suitable for hollow metal or wood doors

LH199BB 5 Knuckle 4 Ball Bearing Hinge



- > Material: Stainless Steel
- > Finish: 630 satin stainless steel (US32D)

W x D	Thickness	Removable Pin	Non-removable Pin
4 1/2" x 4" (114 x 102 mm)	.180" (4.6 mm)	926.39.890	926.39.891
4 1/2" x 4 1/2" (114 x 114 mm)	.180" (4.6 mm)	926.39.892	926.39.893
5" x 4" (127 x 102 mm)	.190" (4.8 mm)	926.39.894	926.39.895
5" x 4 1/2" (127 x 114 mm)	.190" (4.8 mm)	926.39.896	926.39.897
5" x 5" (127 x 127 mm)	.190" (4.8 mm)	926.39.898	926.39.899

Dimensional data not binding. We reserve the right to alter specifications without notice.

Dimensions in mm
Inches are approximate

Heavy Weight Hinges

- > Area of application: Full mortise hinge for heavy weight doors that have high frequency service, suitable for hollow metal or wood doors
- > Certification: ANSI/BHMA A156.1 and A156.7
- > Optional Finishes: US26, US10B (minimum quantity required)

LH1368CB Concealed Bearing 3 Knuckle Hinge



- > Material: Steel
- > Finish: 652 satin chrome-plated (US26D)

W x D	Thickness	Removable Pin	Non-removable Pin
4 1/2" x 4" (114 x 102 mm)	.134" (3.4 mm)	926.39.926	926.39.927
4 1/2" x 4 1/2" (114 x 114 mm)	.134" (3.4 mm)	926.39.928	926.39.929
5" x 4" (127 x 102 mm)	.146" (3.7 mm)	926.39.930	926.39.931
5" x 4 1/2" (127 x 114 mm)	.146" (3.7 mm)	926.39.932	926.39.933
5" x 5" (127 x 127 mm)	.146" (3.7 mm)	926.39.934	926.39.935

Heavy Weight Hinges

- > Area of application: Full mortise hinge for heavy weight doors that have high frequency service, suitable for hollow metal or wood doors

LH1399CB Concealed Bearing 3 Knuckle Hinge



- > Material: Stainless Steel
- > Finish: 630 satin stainless steel (US32D)

W x D	Thickness	Removable Pin	Non-removable Pin
4 1/2" x 4" (114 x 102 mm)	.134" (3.4 mm)	926.39.916	926.39.917
4 1/2" x 4 1/2" (114 x 114 mm)	.134" (3.4 mm)	926.39.918	926.39.919
5" x 4" (127 x 102 mm)	.146" (3.7 mm)	926.39.920	926.39.921
5" x 4 1/2" (127 x 114 mm)	.146" (3.7 mm)	926.39.922	926.39.923
5" x 5" (127 x 127 mm)	.146" (3.7 mm)	926.39.924	926.39.925

Standard Weight - Economy Hinge

- > Area of application: Full mortise hinge for medium weight doors that have medium frequency service, suitable for hollow metal or wood doors
- > Certification: A156.7
- > Material: Steel
- > Finish: 652 matt chrome-plated (US26D)

LH603BB 5 Knuckle 2 Ball Bearing Hinge



W x D	Thickness	Removable Pin	Non-removable Pin
4 1/2" x 4" (114 x 102 mm)	.134" (3.4 mm)	926.39.912	926.39.913
4 1/2" x 4 1/2" (114 x 114 mm)	.134" (3.4 mm)	926.39.914	926.39.915

Standard Weight - Spring Hinge

- > Area of application: For use in apartments, hotel rooms, condominiums and office buildings or anywhere self-closing doors are required, Use 2 spring hinges on fire doors, center and bottom location
All other applications: up to 70 lbs., 1 spring hinge with 2 ball bearing hinges, spring hinge in center, up to 90 lbs., 2 spring hinges with 1 ball bearing hinge, spring hinge in center and bottom, up to 120 lbs., 3 spring hinges
- > Features: Fully adjustable; spring tension may be increased or decreased during installation.
- > Certification: ANSI/BHMA A156.17
- > Material: Steel
- > Finish: 652 matt chrome-plated (US26D)

LH606SH Spring Hinge



W x D	Thickness	Item No.
4 1/2" x 4" (114 x 102 mm)	.134" (3.4 mm)	926.39.910
4 1/2" x 4 1/2" (114 x 114 mm)	.134" (3.4 mm)	926.39.911

Dimensional data not binding. We reserve the right to alter specifications without notice.

None Removable Pin (NRP)

NRP: Set screw in barrel lock in loose pin as shown.
Set screw is not accessible when door is closed.
Specify "NRP" (non-removable pin) when ordering.

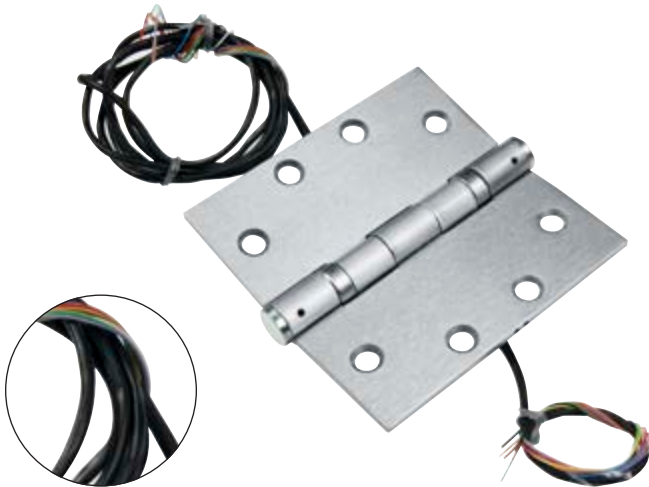


Electric Through Wire (ETW)

- > Electric through wire: for use when power is required to the door
- > Applications include electrified panics such as electric latch retraction or push pad and/or latchbolt monitoring
- > Other applications include electrically locked or electrically unlocked, card readers and request to exit functions
- > Specify: "ETW" hinge and the number of wires required
- > Normally this feature is available with (2@18AWG), (4@28AWG), (8@28AWG) or (12@28AWG) wire
- > Standard length is 12" x 48" (305 x 1219 mm)
- > Hinges should be installed in center hinge location

Note

Other wire lengths availability by special order.



Plug in Connector (PIC)

- > Makes connection in field faster and creates a positive interlock between the hinge side of door and the device the hinge is connected to
- > Specify: "PIC" and wire gauge, and number of wires when ordering



Radius Corner (RC)

- > Primarily for use on aluminum doors and frames
- > Available in both 1/4" (6 mm) and 5/8" (16 mm) radius
- > Specify: "RC" and radius when ordering.

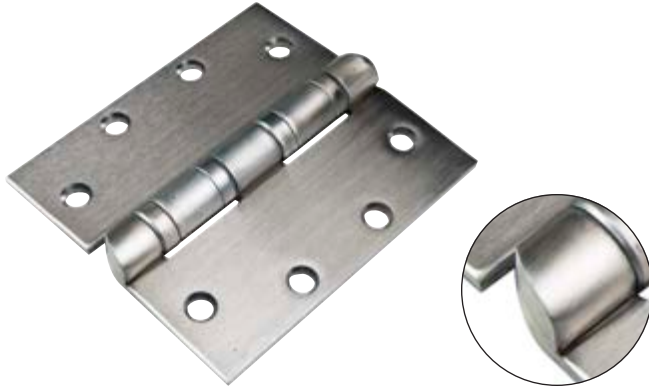


Dimensional data not binding. We reserve the right to alter specifications without notice.

Dimensions in mm
Inches are approximate

Hospital Tip (HT)

- > Barrel ends are sloped, making it easier to clean and making it difficult to attach rope, clothing or other ligatures
- > The pin is held in place by a cross pin for security reasons
- > Specify "HT" when ordering; not available on all models



Fire Rated (cUL Marked)

- > Full mortise, butt hinges, 3-knuckle and 5 knuckle standard and heavy weight for use on swinging-type fire doors rated up to and including 3 hour
- > Available for the following models:

	Standard weight	Heavy weight
	LH179BB	LH168BB
	LH191BB	LH199BB
	LH1379CB	LH1368CB
	LH1391CB	LH1399CB



Dimensional data not binding. We reserve the right to alter specifications without notice.

Factors determining selection for the proper hinge

- A) Type of door and frame
- B) Size, thickness and weight of door with all hardware accessories
- C) Clearance required
- D) Exterior or interior use and frequency
- E) Exposure (sea air, dust, corrosive atmosphere, etc.)
- F) Quality desired
- G) Special application or use
- H) Door accessories (overhead holders, closers, stops, lock plates, etc.) which affect hinge performance
- I) Hinge edge of door beveled or square

Requirements for selection of proper hinge specification

1. Kind of hinge
Primary consideration is given to the type of door and jamb for selection of a definite kind of hinge.
2. Type of hinge - Ball bearing, plain, etc.
The weight of the door and frequency of use determine whether a heavy weight, standard weight, ball bearing or plain bearing hinge should be used - heavy weight hinges should always be used on heavy doors and doors where high frequency service is expected - use ball bearing hinges on doors equipped with closers and on fire doors.
3. Size of hinge
Determined by width, thickness and weight of door and trim to clear
4. Kind of metal
Determined by considerations such as atmospheric conditions, location of doors, or special conditions as in chemical laboratories, sewage disposal plants, etc. Non-ferrous metal must always be used for rust resistance.
5. Quality of finish
Finish on hinges is always furnished to our standard and government standard finishes. When an exact match of another manufacturer's finish is desired, submit sample (minimum quantity required).
6. Location of hinges on doors and maintenance
Improper maintenance or wrong installation of hinges can affect the life of the product and cancel the guarantee.
7. Number of hinges required on doors and maintenance
Always specify at least three hinges to a door; the third hinge shares the load with the other two hinges, increases the life of the installation and prevents warpage of doors.
Doors with closers, holders and stops are subject to forces and stresses not encountered in free hanging and free swinging doors. These doors require a hinge with particularly good lateral load capacities to be able to take such stresses. The top hinge suffers severe abuse, and to the extent that it loosens, the center hinge takes up the load.
8. Hand of door
Anchor type, raised barrel hinges, etc. are handed and should be specified right or left hand
9. Industrial
Hinges described in this catalog, can be modified to meet the requirements of industry. Requests with detailed drawing of requirements, are cordially invited by our technical department (minimum quantity required).
10. Packing
Our products are packed and protected in strong approved containers. All hinges are individually wrapped to protect the finish and packed one and a half pair (1 1/2) per box with full machine and full wood screws.
11. Screws
Packed with minimum full machine and half wood.

Application determines different kind of hinges

1

Fig. A
Full mortise
Wood Doors
Wood Jamb

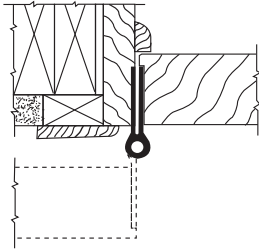


Fig. B
Full mortise
Wood Doors
Hollow Metal Jamb

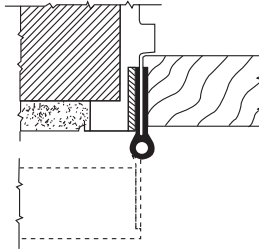


Fig. C
Full surface
Hollow Metal Doors
Hollow Metal Jamb

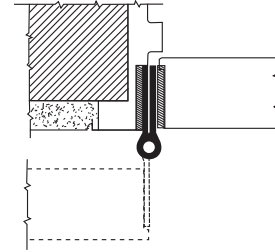


Fig. D
Half mortise
Hollow Metal Doors
Channel Iron Jamb

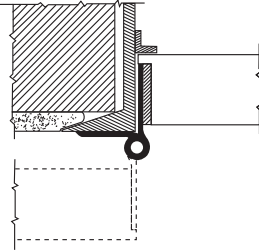


Fig. E
Half Surface
Wood Doors
Wood Jamb

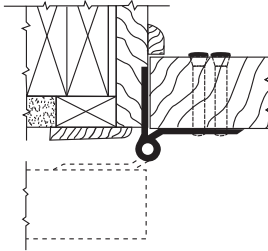


Fig. F
Half Surface
Kalamein Doors
Hollow Metal Jamb

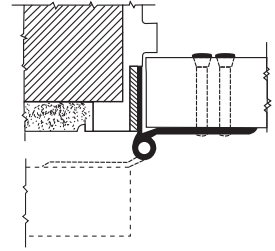


Fig. G
Full surface
Kalamein Doors
Channel Iron Jamb

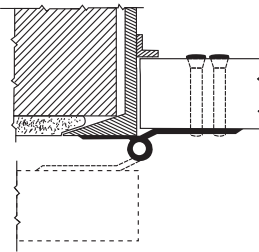


Fig. H
Full surface
Hollow Metal Doors
Channel Iron Jamb

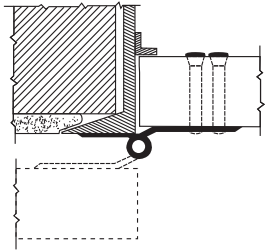


Fig. I
“Swing Clear” full mortise
Wood Doors
Hollow Metal Jamb

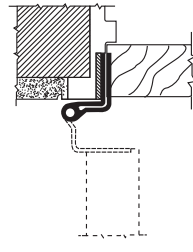


Fig. J
“Swing Clear” half mortise
Wood Doors
Channel Iron Jamb

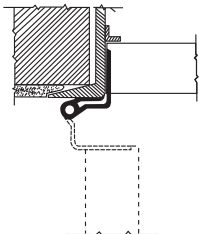


Fig. K
“Swing Clear” half mortise
Kalamein Doors
Hollow Metal Jamb

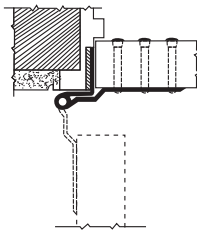
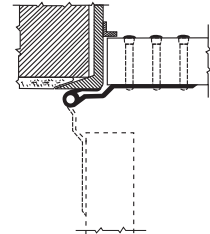


Fig. L
“Swing Clear” full mortise
Kalamein Doors
Channel Iron Jamb



Dimensions in mm
Inches are approximate

Recommendations for sizes of hinges

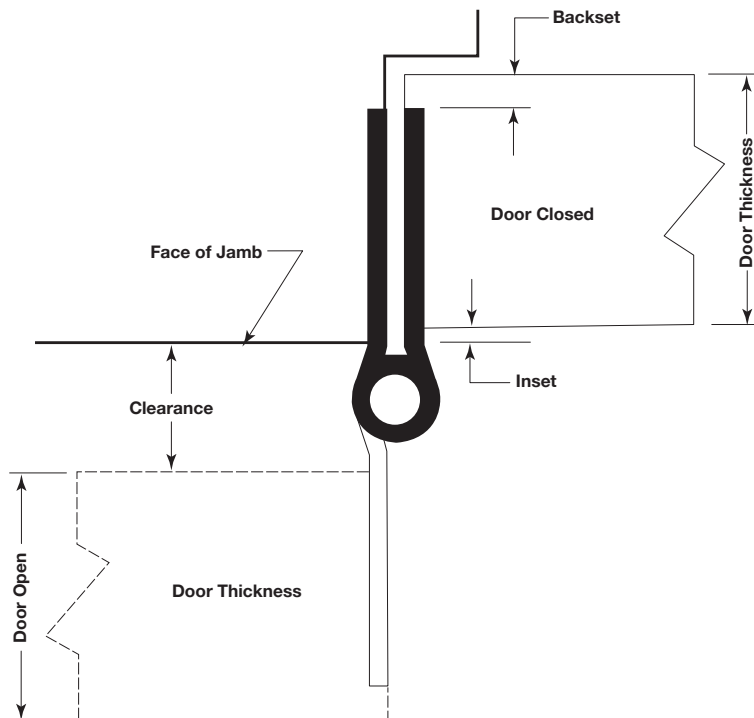
Door Thickness	Door Width	Hinge Height	Hinge Width
Inches	Inches	Inches	Inches
1 3/8"	Up to 32"	3 1/2"	3 1/2"
	Over 32"	4"	3 1/2"
1 3/4"	Up to 36"	4 1/2"	4"
	Over 36"	5"	4 1/2"
	Up to 48"	5"	5"
2"	Up to 42"	5"	4 1/2"
2 1/4"	Up to 42"	5"	5"
2 1/2"	Up to 42"	5"	5"

Door Thickness	Door Width	Hinge Height	Hinge Width
mm	mm	mm	mm
35	Up to 800	88	88
	Over 800	101	88
44	Up to 900	114	101
	Over 900	127	114
	Up to 1200	127	127
50	Up to 1050	127	114
57	Up to 1050	127	127
63	Up to 1050	127	127

Formula to determine hinge width under normal conditions

- Known factors: 1) Door thickness
2) Backset
3) Clearance required
4) Inset

(Door thickness - Backset) x 2 plus clearance required + inset (if any) EQUALS hinge width (if not standard width - use next larger standard hinge width)

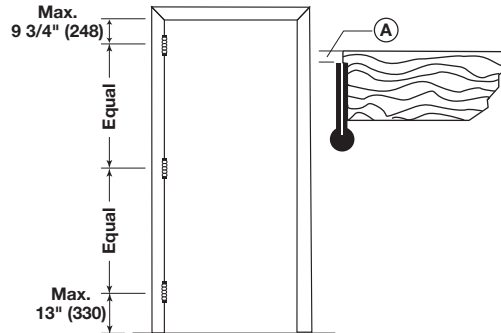


Dimensional data not binding. We reserve the right to alter specifications without notice.

Dimensions in mm
Inches are approximate

Location of hinges on doors

- > For doors up to 2 1/4" (57 mm) thick, hinges are applied 1/4" (6 mm) from edge.
- > For doors over 2 1/4" (57 mm) thick, hinges are applied 3/8" (10 mm) from edge.



Hinge maintenance

- > For general maintenance of Architectural grade hinges, we recommend that the pins be removed and liberally coated with general purpose grease, then re-inserted and the excess wiped off
- > It is highly recommend that all attaching screws be checked for tightness

Number of hinges per door

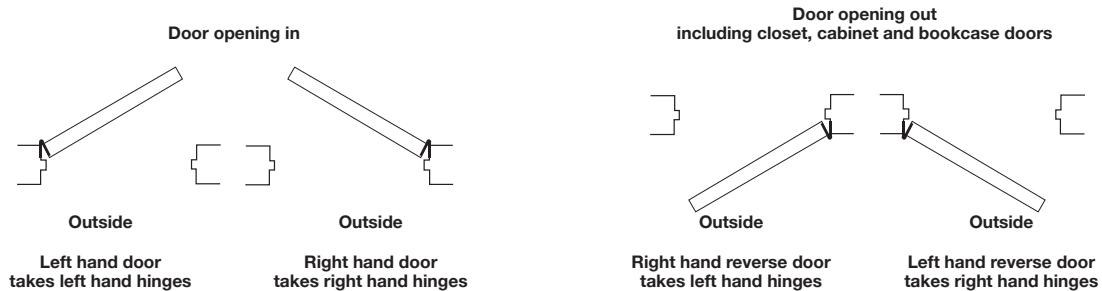
- The following quantity of hinges are recommended for doors of various heights:
- 2 hinges: Doors up to 60" (1500 mm)
 - 3 hinges: Doors up to 90" (2500 mm)
 - 4 hinges: Doors up to 120" (3000 mm)

Note

For doors over 120" (3000 mm) add one hinge for each additional 30" (750 mm) or fraction thereof.

How to determine hand of hinges

- > The hand of a butt hinge is determined from the door to which it is applied.
- > The outside of a cabinet, bookcase or closet door is the room side. For other doors, the outside is usually the "push" or jamb side.
- > If standing outside of a door which opens from you to the right, it takes right hand butt hinges. If to the left, it takes left hand butt hinges.
- > If standing outside of a door which opens towards you to the right, it takes left hand butt hinges. If to the left, it takes right hand butt hinges.
- > Reversed bevel doors are doors opening out.
- > In ordering butt hinges that are not reversible, the hand must always be specified.



Hinge requirements for fire doors

> National Fire Protection Association, pamphlet no. 80 (NFPA-80) lists the guidelines for hinge uses with fire doors.

Attaching hinges to doors

> Mortise hinges shall be secured to reinforcements in the doors with steel machine screws and surface hinges shall be attached with steel through-bolts.

Exception

> Mortise hinges shall be secured to wood and plastic covered composite or wood core doors with No. 12 by 1 1/4" (31.75 mm) flat threaded-to-the-head, steel wood screws.

Attaching hinges to frame

> Hinges shall be secured to frames with steel screws. Types of screws will vary depending on material used for the manufacture of labeled door frames. Refer to labeled door frame manufacturers instructions and published listings for specific screw requirements.

> Hardware shall be examined frequently and any parts found to be inoperative shall be replaced immediately.

Builder's Hardware

Mortise and surface hinges for swinging doors including spring hinges

> Doors up to 60" (1.522 m) high shall be provided with two hinges and an additional hinge for each additional 30" (0.762 m).

Door rating, Hr						For 1 3/4" (44.5 mm) or thicker doors				Type Hinge
						Maximum door size		Minimum hinges size		
						Width ft. (m)	Height ft. (m)	Height in. (mm)	Thickness in. (mm)	
3	1 1/2	1	3/4	1/2	1/3	4' (1.22)	10' (3.05)	4 1/2" (114.3)	0.180" (4.57)	Steel, Mortise or Surface
3	1 1/2	1	3/4	1/2	1/3	4' (1.22)	8' (2.44)	4 1/2" (114.3)	0.134" (3.40)	
	1 1/2	1	3/4	1/2	1/3	3' (0.91)	5' (1.52)	4" (101.6)	0.130" (3.30)	
	1 1/2	1	3/4	1/2	1/3	2' (0.61)	3' (0.91)	3" (76.2)	0.092" (2.34)	
	1 1/2	1	3/4	1/2	1/3					
						For 1 3/8" (34.93 mm) Doors				
3	1 1/2		3/4	1/2	1/3	3' (0.91)	7' (2.13)	3 1/2" (88.9)	0.123" (3.12)	

Note 1

All hinges except spring hinges, shall be of the ball bearing type. Hinges employing other anti-friction bearing surfaces are permitted if they meet the test requirements of standard for butts hinges (ANSI A 156.1).

Note 2

4 1/2" (114 mm) high, 0.180" (4.57 mm) thick hinges should be used on doors which are unusually wide and heavy or which will receive high frequency use or unusual stresses.

Note 3

Some manufacturers may provide fire doors with light weight hinges which are not ball bearing if they are part of a listed assembly and meet the test requirements of ANSI A 156.1, and have been tested to a minimum of 350,000 cycles.

Dimensional data not binding. We reserve the right to alter specifications without notice.

These template butt hinges are made in size, gauge and with screw holes located to conform to government and ANSI standards.

Note

Fully adjustable; spring tension may be increased or decreased during installation.

Dimensions	Inches	mm
	4 1/2" x 4"	114.30 x 101.60
	4 1/2" x 4 1/2"	114.30 x 114.30

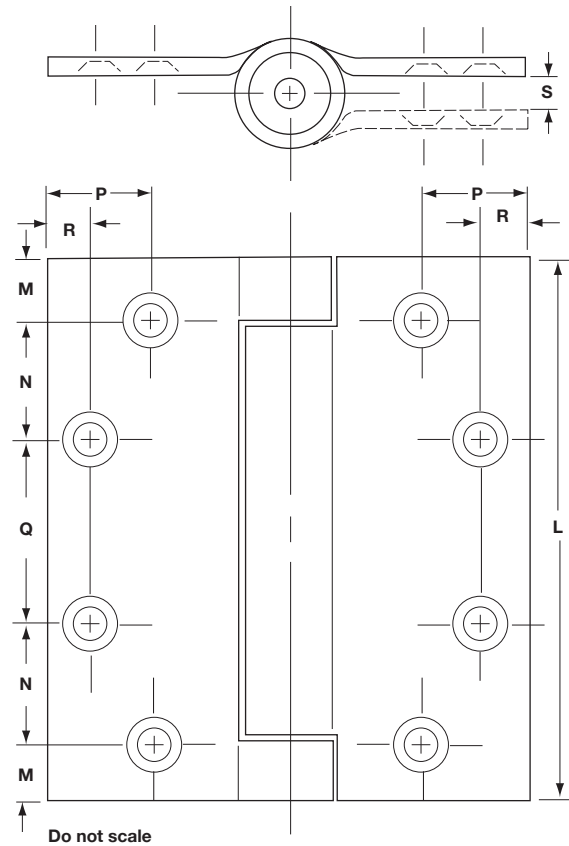
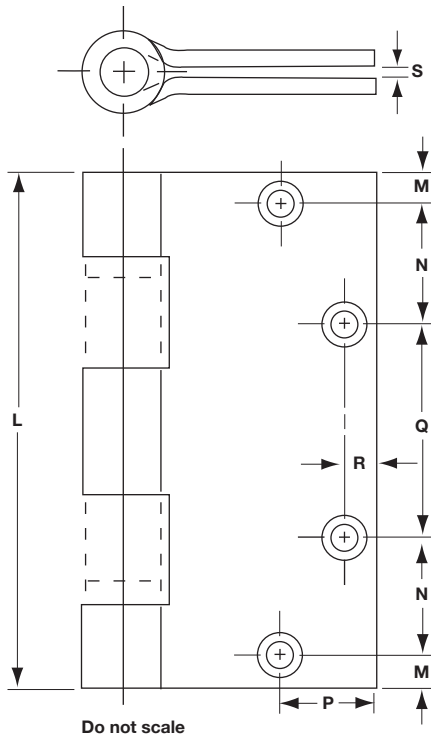
Dimensions	Inches	mm
L	4.5"	114.30
M	0.508"	12.90
N	1.125"	28.58
P	1"	25.40
Q	1.234"	31.34
R	0.375"	9.53
S	0.063"	1.59

Machine Screws: 12-24 x 1/2 F.H., 12-24 x 13 F.H.
Wood Screws: 1 1/4 x no. 12 F.H., 32 x no. 12 F.H.
1 1/2 x no. 12 F.H., *38 x no. 12 F.H.

Dimensions	Inches	mm
	4 1/2" x 4"	114.30 x 101.60
	4 1/2" x 4 1/2"	114.30 x 114.30

Dimensions	Inches	mm
L	4.5"	114.30
M	0.508"	12.90
N	1.125"	28.58
P	1"	25.40
Q	1.234"	31.34
R	0.375"	9.53
S	0.063"	1.59
Metal Thickness	0.134"	3.40

Machine Screws: 12-24 x 1/2 F.H., 12-24 X 13 F.H.
Wood Screws: 1 1/4 x no. 12 F.H., 32 x no. 12 F.H.



Class Number

Steel
LH606SH

Dimensional data not binding. We reserve the right to alter specifications without notice.

Hinges for fire doors

6.4.3* Builders Hardware

- 6.4.3.1 Hinges shall be as specified in individual door manufacturer's published listings or Table 6.4.3.1.
- 6.4.3.1.1 Doors up to 60" (1.52 m) in height shall be provided with two hinges and an additional hinge for each additional 30" (0.762 m) of door height or fraction thereof.
 - 6.4.3.1.1.1 The distance between hinges shall be permitted to exceed 30" (0.762 m).
 - 6.4.3.1.1.2 Where spring hinges are used, at least two shall be provided.
 - 6.4.3.1.2 All hinges or pivots, except spring hinges, shall be of the ball bearing type.
 - 6.4.3.1.2.1 Hinges or pivots employing other anti-friction bearing surfaces shall be permitted if they meet the requirements of ANSI/BHMA A156.1, Standard for Butts and Hinges.
 - 6.4.3.1.2.2 Spring hinges shall be labeled and shall meet the requirements of ANSI/BHMA A156.17, Standard for self-closing Hinges & Pivots, Grade 1.

Table 6.4.3.1 Builders Hardware Mortise, Surface, and Full Length Hinges, Pivots, or Spring Hinges for Swinging Doors

Door Rating (hr)	Maximum Door Size		Minimum Hinge Size		Type Hinge
	Width ft (m)	Height ft (m)	Height in. (mm)	Thickness in. (mm)	
For 1 3/4" (44.5 mm) or Thicker Doors					
3, 1 1/2, 1, 3/4, 1/2, 1/3	4" (1.22)	10" (3.05)	4 1/2" (114.3)	0.180" (4.57)	Steel, mortise or surface
3, 1 1/2, 1, 3/4, 1/2, 1/3	4" (1.22)	8" (2.44)	4 1/2" (114.3)	0.134" (3.40)	Steel, mortise or surface
1 1/2, 3/4, 1/2, 1/3	3 1/6" (0.96)	8" (2.44)	6" (152.4)	0.225" (5.72)	Steel, olive knuckle or paumelle
3, 1 1/2, 3/4, 1/2, 1/3	4" (1.22)	10" (3.05)	4" (101.6)	0.225" (5.72)	Steel pivots (including top, bottom, and intermediate)
1 1/2, 1, 3/4, 1/2, 1/3	3" (0.91)	5" (1.52)	4" (101.6)	0.130" (3.30)	Steel, mortise or surface
1 1/2, 1, 3/4, 1/2, 1/3	2" (0.61)	3" (0.91)	3" (76.2)	0.092" (2.34)	Steel, mortise or surface
3, 1 1/2, 1, 3/4, 1/2, 1/3	3" (0.91)	7" (2.13)	4 1/2" (114.3)	0.134" (3.40)	Steel mortise or surface (labeled, self-closing, spring type)
3, 1 1/2, 1, 3/4, 1/2, 1/3	3" (0.91)	7" (2.13)	4" (101.6)	0.105" (2.67)	Steel, mortise or surface (labeled, self-closing, spring type)
For 1 3/8" (34.93 mm) Doors					
3, 1 1/2, 3/4, 1/2, 1/3	3" (0.91)	7" (2.13)	3 1/2" (88.9)	0.123" (3.12)	Steel, mortise or surface
3, 1 1/2, 1, 3/4, 1/2, 1/3	2 2/3" (0.81)	7" (2.13)	3 1/2" (88.9)	0.105" (2.67)	Steel, mortise or surface (labeled, self-closing, spring type)

- 6.4.3.1.3 Hinges 4 1/2" (114 mm) high and 0.180" (4.57 mm) thick shall be permitted for use on wide and heavy doors or doors that are subjected to heavy use or unusual stress.
- 6.4.3.1.4 Fire doors with hinges of lighter weight that are not of the ball bearing type shall be permitted under the following conditions:
 1. They are part of a listed assembly.
 2. They meet the test requirements of ANSI/BHMA A156.1, Standard for Butts and Hinges.
 3. They have been tested to a minimum of 350,000 cycles.
- 6.4.3.1.5 Pivot sets made up of components that are smaller or of a lighter gauge than shown in Table 6.4.3.1 shall be permitted to be used, provided they meet the requirements of ANSI/BHMA A156.4, Standard for Door Controls (Closers), and are in accordance with the manufacturer's label service procedures.
- 6.4.3.2 **Attaching Hinges to Doors**
 - 6.4.3.2.1 Hinges shall be secured in accordance with the listing and the manufacturer's installation instructions.
 - 6.4.3.2.2 Mortise hinges shall be secured to reinforcements in the doors with steel machine screws.
 - 6.4.3.2.3 Mortise hinges shall be secured to wood and plastic-covered composite doors or wood core doors with No. 12 x 1 1/4" (31.75 mm) flat, threaded-to-the-head, steel wood screws. Pilot holes shall be drilled that are 5/32" (4 mm) in diameter.
 - 6.4.3.2.4 Surface hinges shall be attached with steel through-bolts.
- 6.4.3.3 **Attaching Hinges to Frames** Hinges shall be secured to frames with steel screws.
 - 6.4.3.3.1 Types of screws shall be permitted to vary depending on material use for the manufacture of labeled door frames.
 - 6.4.3.3.2 The manufacturer's instructions and published listings for labeled door frames shall be referenced for specific screw requirements.
 - 6.4.3.3.4 **Shimming** When required to meet the clearances stated in 6.3.1.7, the shimming of hinges using steel shims shall be permitted.

Dimensional data not binding. We reserve the right to alter specifications without notice.

- > Material: Cast Stainless Steel, Type 304
- > Finish: 630 satin stainless steel (US32D)

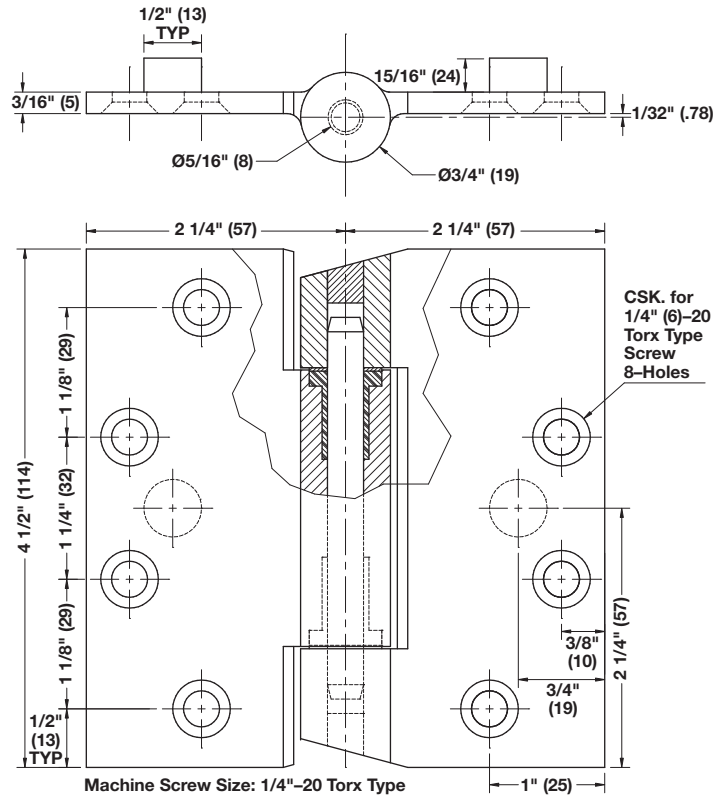
1

**LH918 Full Mortise Butt Hinge
 with Shear Resistant Stud with Sloped Tips**



W x D x H: 4 1/2" x 4 1/2" x 3/16" (114 x 114 x 5 mm)

	Item No.
	926.39.946



Dimensions in mm
 Inches are approximate

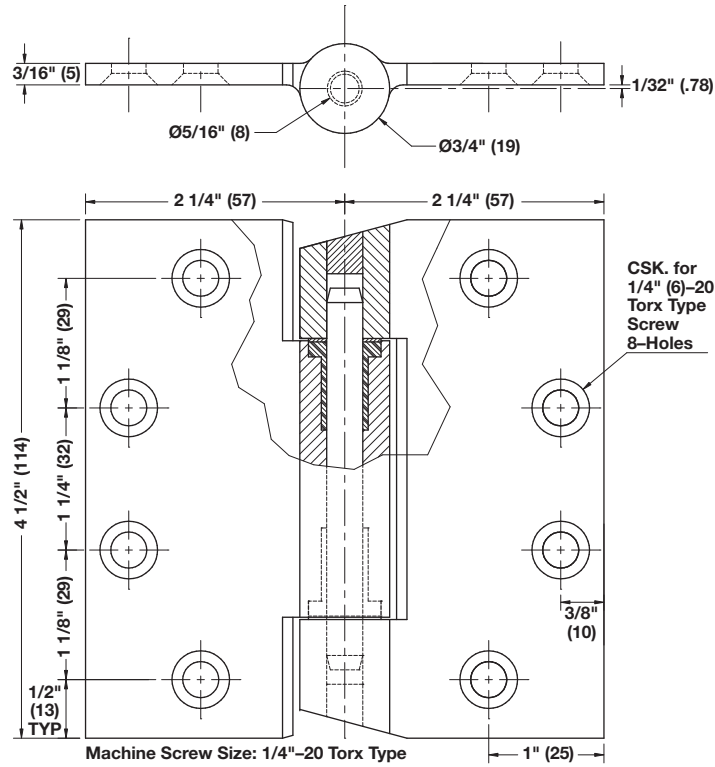
- > Material: Cast Stainless Steel
- > Finish: 630 satin stainless steel (US32D)

LH919 Full Mortise Butt Hinge with Sloped Tips



W x D x H: 4 1/2" x 4 1/2" x 3/16" (114 x 114 x 5 mm)

	Item No.
	926.39.947



Dimensional data not binding. We reserve the right to alter specifications without notice.

Dimensions in mm
 Inches are approximate

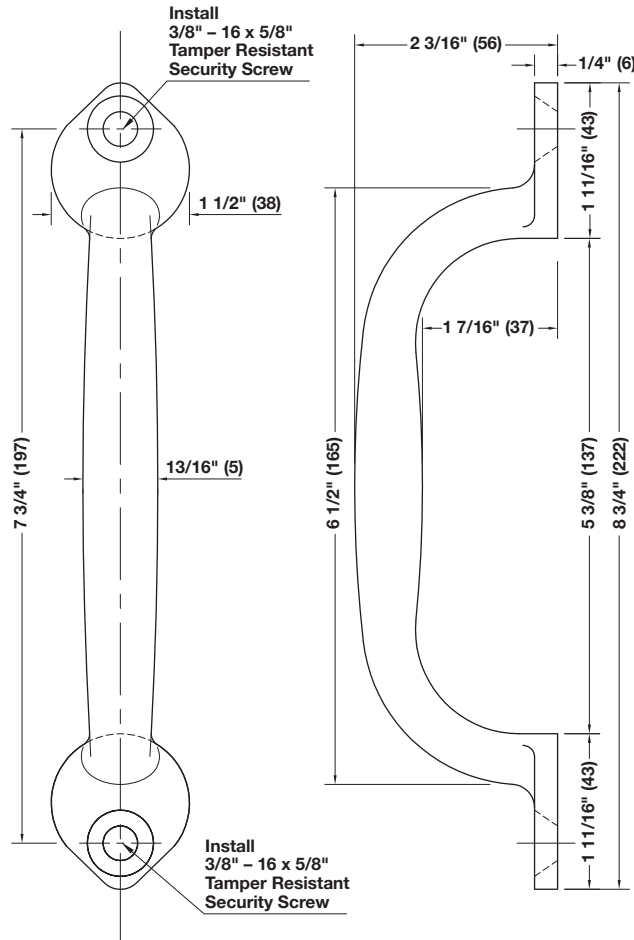
- > Material: Cast Stainless Steel
- > Finish: 630 satin stainless steel (US32D)

1

LH920 Cast Surface Pull



	Item No.
	104.69.000



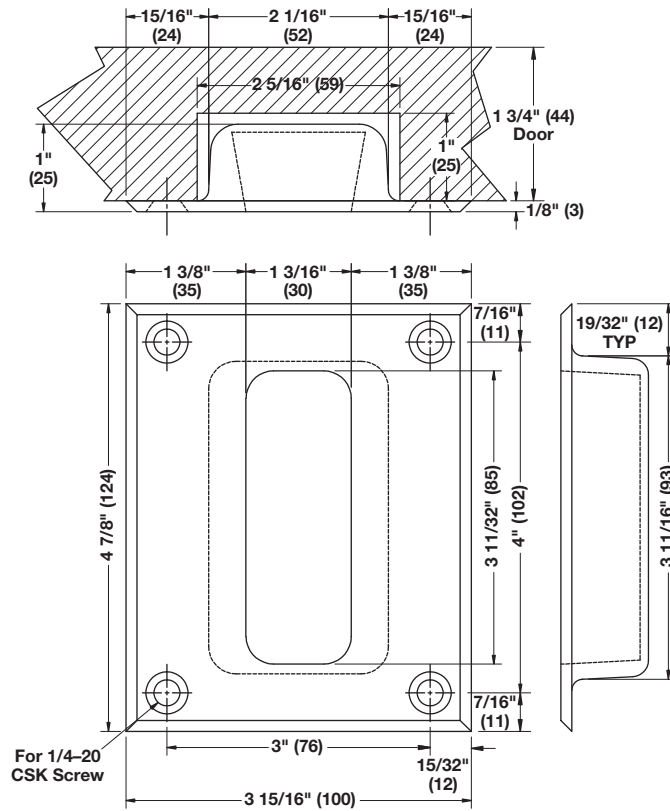
Dimensions in mm
 Inches are approximate

- > Material: Cast Stainless Steel
- > Finish: 630 satin stainless steel (US32D)

LH921 Cast Flush Pull



	Item No.
	104.69.010



Dimensional data not binding. We reserve the right to alter specifications without notice.

Dimensions in mm
 Inches are approximate

- > Area of application: Bevel or square edge doors
- > Handing: Non-handed
- > Inset: 1/8" (3 mm)
- > Maximum door width: 48" (1219 mm)
- > For door weights: Up to 600 lbs.
- > Mounting hardware: #10 x 1/2" self-drilling and tapping screws, #10 x 1" wood screws
- > Fire rated: ULC up to 3 hours

Full Mortise Pin and Barrel Hinge



CH951 Shown

CH941

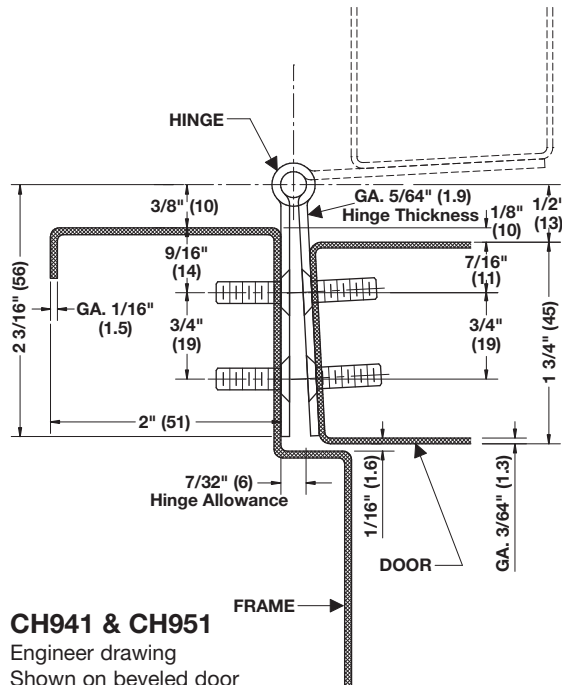
- > Material: Cold Rolled Steel
- > Finish: 600 prime coated (USP)

Length	Item No.
7' (2.1 m)	351.23.000
8' (2.4 m)	351.23.001
10' (3 m)	351.23.002

CH951

- > Material: 14 Gauge 304 Stainless Steel
- > Finish: 630 satin stainless steel (US32D)

Length	Item No.
7' (2.1 m)	351.23.003
8' (2.4 m)	351.23.004
10' (3 m)	351.23.005



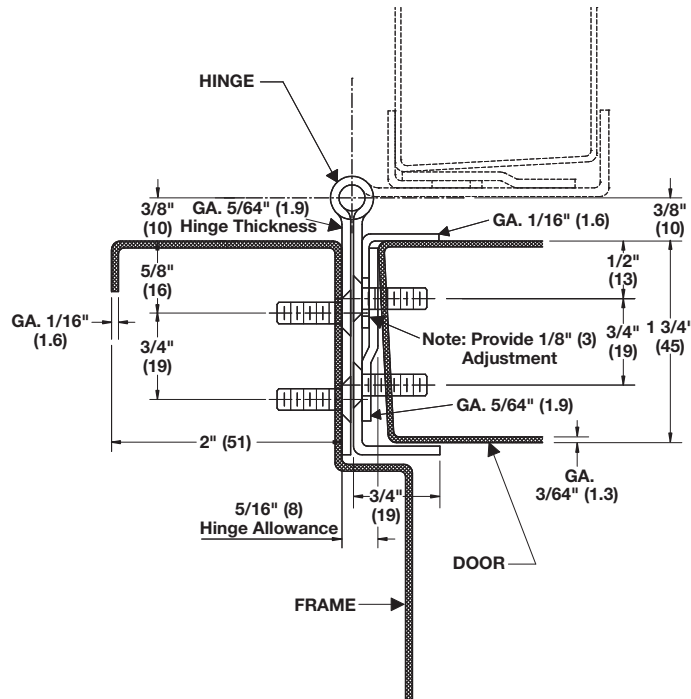
Dimensional data not binding. We reserve the right to alter specifications without notice.

- > Area of application: Bevel or square edge doors
- > Handing: Non-handed
- > Maximum door width: 48" (1219 mm)
- > For door weights: Up to 600 lbs.
- > Mounting hardware: #10 x 1/2" self-drilling and tapping screws, #10 x 1" wood screws
- > Fire rated: ULC up to 3 hours
- > Material: 14 Gauge 304 Stainless Steel
- > Finish: 630 satin stainless steel (US32D)

**CH952 Full Wrap Edge Guard Hinge
 (Edge Mount)**



Length	Item No.
7' (2.1 m)	351.23.013
8' (2.4 m)	351.23.014
10' (3 m)	351.23.015



Dimensional data not binding. We reserve the right to alter specifications without notice.

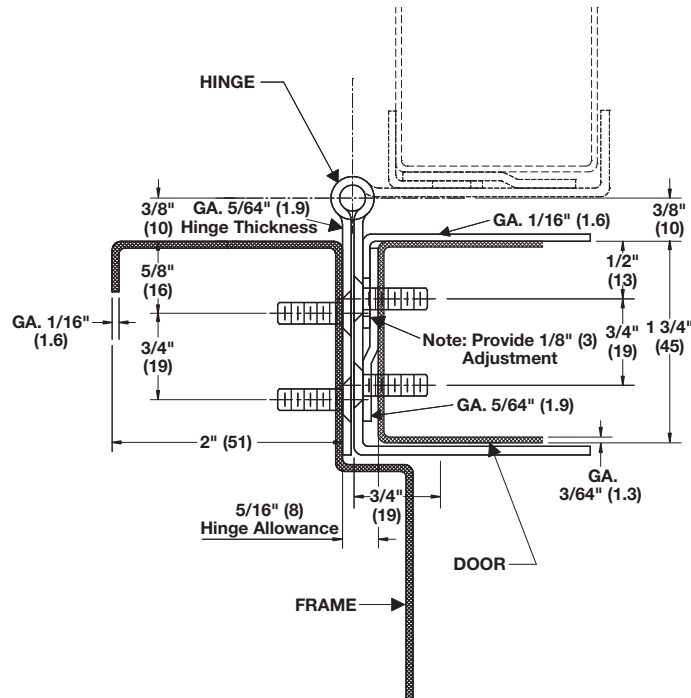
Dimensions in mm
 Inches are approximate

- > Area of application: Bevel or square edge doors
- > Hanging: Non-handed
- > Maximum door width: 48" (1219 mm)
- > For door weights: Up to 600 lbs.
- > Mounting hardware: #10 x 1/2" self-drilling and tapping screws, #10 x 1" wood screws
- > Fire rated: ULC up to 3 hours
- > Material: 14 Gauge 304 Stainless Steel
- > Finish: 630 satin stainless steel (US32D)

CH952E Extended Full Wrap Edge Guard Hinge (Edge Mount)



Length	Item No.
7' (2.1 m)	351.23.023
8' (2.4 m)	351.23.024
10' (3 m)	351.23.025



Dimensions in mm
 Inches are approximate

- > Area of application: Bevel or square edge doors
- > Handing: Non-handed
- > Maximum door width: 48" (1219 mm)
- > For door weights: Up to 600 lbs.
- > Mounting hardware: #10 x 1/2" self-drilling and tapping screws, #10 x 1" wood screws
- > Fire rating: ULC up to 3 hours

Half Wrap Edge Guard Hinge (Edge Mount)



CH943

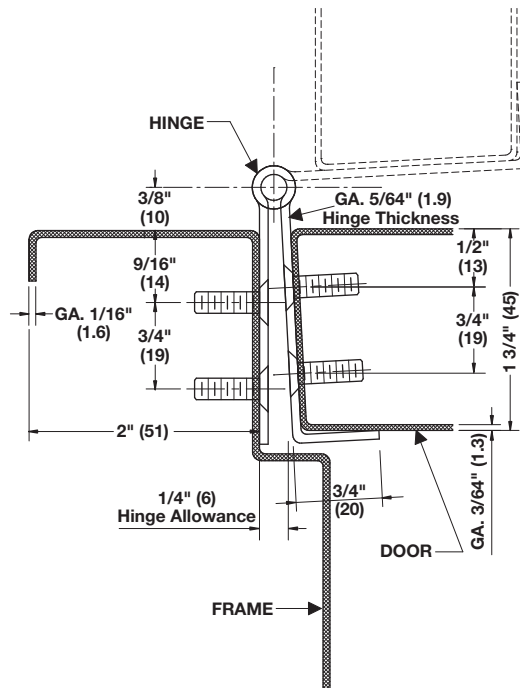
- > Material: Cold Rolled Steel
- > Finish: 600 prime coated (USP)

Length	Item No.
7' (2.1 m)	351.23.010
8' (2.4 m)	351.23.011
10' (3 m)	351.23.012

CH953

- > Material: 14 Gauge 304 Stainless Steel
- > Finish: 630 satin stainless steel (US32D)

Length	Item No.
7' (2.1 m)	351.23.033
8' (2.4 m)	351.23.034
10' (3 m)	351.23.035



Dimensional data not binding. We reserve the right to alter specifications without notice.

Dimensions in mm
 Inches are approximate

- > Area of application: Bevel or square edge doors
- > Hanging: Non-handed
- > Maximum door width: 48" (1219 mm)
- > For door weights: Up to 600 lbs.
- > Mounting hardware: #10 x 1/2" self-drilling and tapping screws, #10 x 1" wood screws
- > Fire rating: ULC up to 3 hours

Half Mortise Pin and Barrel Hinge



CH944

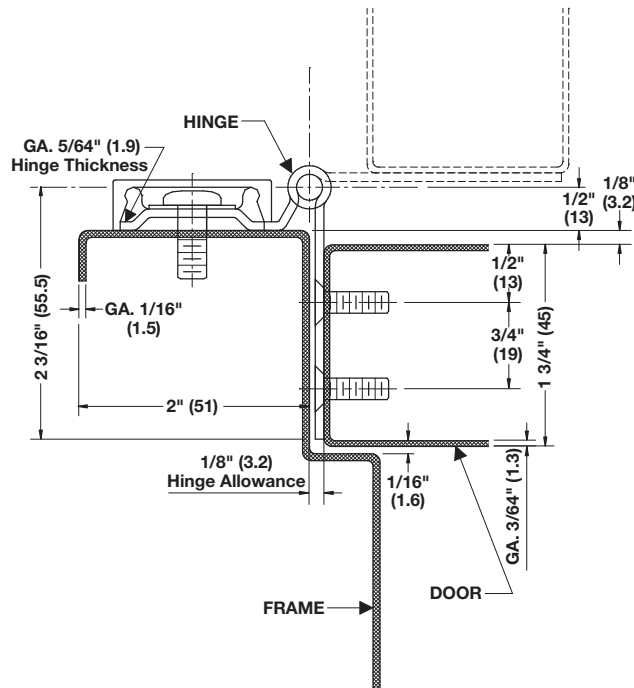
- > Material: Cold Rolled Steel
- > Finish: 600 prime coated (USP)

Length	Item No.
7' (2.1 m)	351.23.020
8' (2.4 m)	351.23.021
10' (3 m)	351.23.022

CH954

- > Material: 14 Gauge 304 Stainless Steel
- > Finish: 630 satin stainless steel (US32D)

Length	Item No.
7' (2.1 m)	351.23.006
8' (2.4 m)	351.23.007
10' (3 m)	351.23.008



Dimensions in mm
 Inches are approximate

- > Area of application: Bevel or square edge doors
- > Handing: Non-handed
- > Maximum door width: 48" (1219 mm)
- > For door weights: Up to 600 lbs.
- > Mounting hardware: #10 x 1/2" self-drilling and tapping screws, #10 x 1" wood screws
- > Fire rating: ULC up to 3 hours

Half Mortise with Guard Pin and Barrel Hinge



CH945

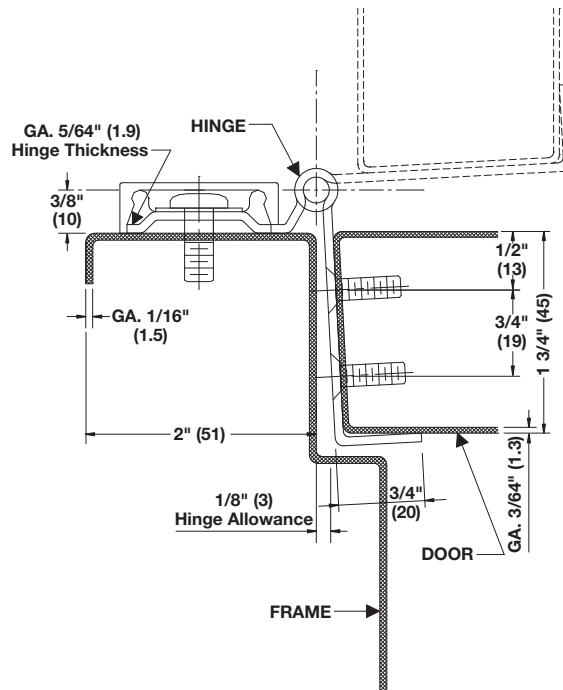
- > Material: Cold Rolled Steel
- > Finish: 600 prime coated (USP)

Length	Item No.
7' (2.1 m)	351.23.030
8' (2.4 m)	351.23.031
10' (3 m)	351.23.032

CH955

- > Material: 14 Gauge 304 Stainless Steel
- > Finish: 630 satin stainless steel (US32D)

Length	Item No.
7' (2.1 m)	351.23.016
8' (2.4 m)	351.23.017
10' (3 m)	351.23.018



Dimensional data not binding. We reserve the right to alter specifications without notice.

Dimensions in mm
 Inches are approximate

- > Area of application: Bevel or square edge doors
- > Hanging: Non-handed
- > Maximum door width: 48" (1219 mm)
- > For door weights: Up to 600 lbs.
- > Mounting hardware: #10 x 1/2" self-drilling and tapping screws, #10 x 1" wood screws
- > Fire rating: ULC up to 3 hours

Swing Clear Pin and Barrel Hinge



CH946

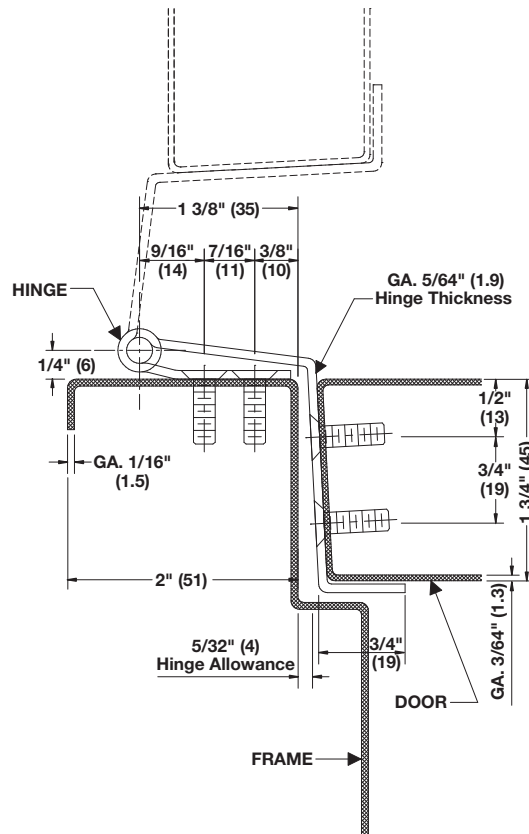
- > Material: Cold Rolled Steel
- > Finish: 600 prime coated (USP)

Length	Item No.
7' (2.1 m)	351.23.040
8' (2.4 m)	351.23.041
10' (3 m)	351.23.042

CH956

- > Material: 14 Gauge 304 Stainless Steel
- > Finish: 630 satin stainless steel (US32D)

Length	Item No.
7' (2.1 m)	351.23.026
8' (2.4 m)	351.23.027
10' (3 m)	351.23.028



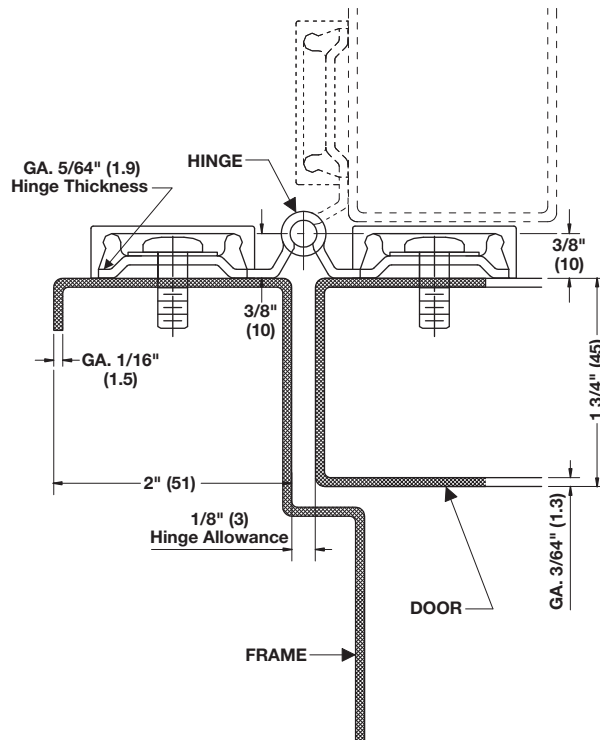
Dimensions in mm
 Inches are approximate

- > Area of application: Bevel or square edge doors
- > Hanging: Non-handed
- > Maximum door width: 48" (1219 mm)
- > For door weights: Up to 600 lbs.
- > Mounting hardware: #10 x 1/2" self-drilling and tapping screws, #10 x 1" wood screws
- > Fire rating: ULC up to 3 hours
- > Material: 14 Gauge 304 Stainless Steel
- > Finish: 630 satin stainless steel (US32D)

CH957 Full Surface Hinge (Flush)



Length	Item No.
7' (2.1 m)	351.23.036
8' (2.4 m)	351.23.037
10' (3 m)	351.23.038



Dimensional data not binding. We reserve the right to alter specifications without notice.

Dimensions in mm
 Inches are approximate

- > Extruded
- > Plain bearing
- > Material: Brass

LH3030

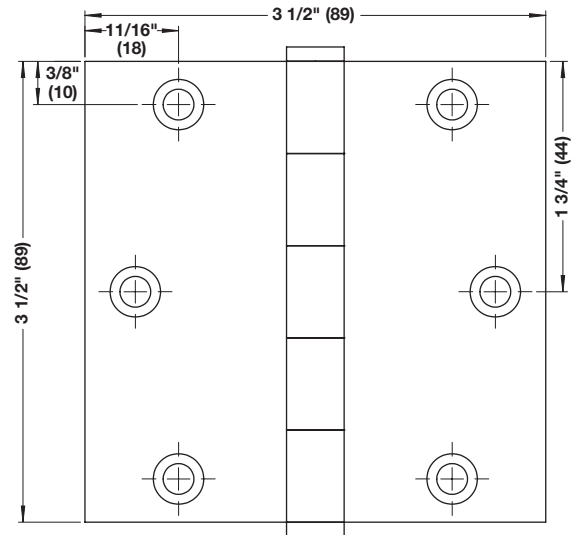
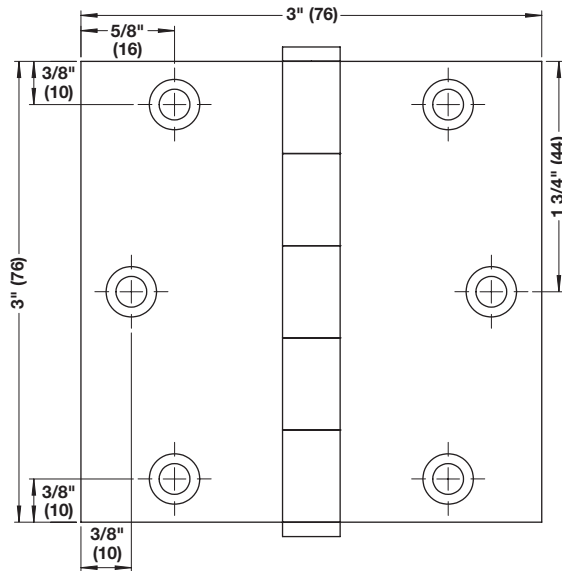


Finish	Item No.
632 bright brass (US3)	926.39.948
633 satin brass (US4)	926.39.949
609 satin brass, blackened (US5)	926.39.950
641 satin bronze, oil-rubbed (US10B)	926.39.951
618 bright nickel-plated (US14)	926.39.952
619 satin nickel-plated (US15)	926.39.953
gun metal (US15B)	926.39.954
612 nickel-plated, blackened (US17A)	926.39.955
622 flat black (US19)	926.39.956
625 bright chrome-plated (US26)	926.39.957

LH3535



Finish	Item No.
632 bright brass (US3)	926.39.958
633 satin brass (US4)	926.39.959
609 satin brass, blackened (US5)	926.39.960
641 satin bronze, oil-rubbed (US10B)	926.39.961
618 bright nickel-plated (US14)	926.39.962
619 satin nickel-plated (US15)	926.39.963
gun metal (US15B)	926.39.964
612 nickel-plated, blackened (US17A)	926.39.965
622 flat black (US19)	926.39.966
625 bright chrome-plated (US26)	926.39.967



Dimensions in mm
 Inches are approximate

- > Extruded
- > Plain bearing
- > Material: Brass

LH4040

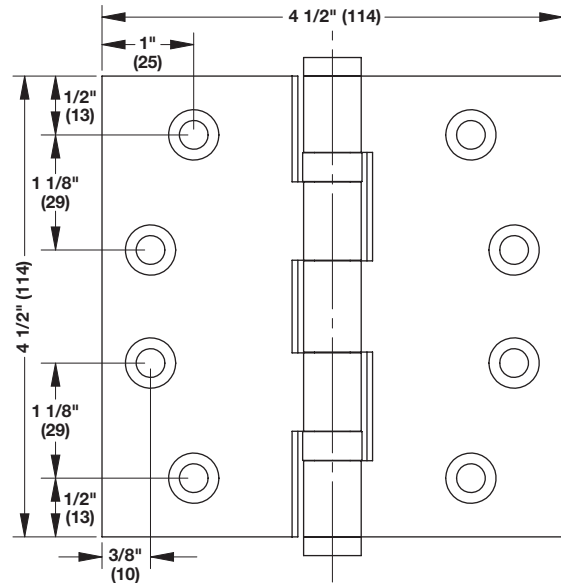
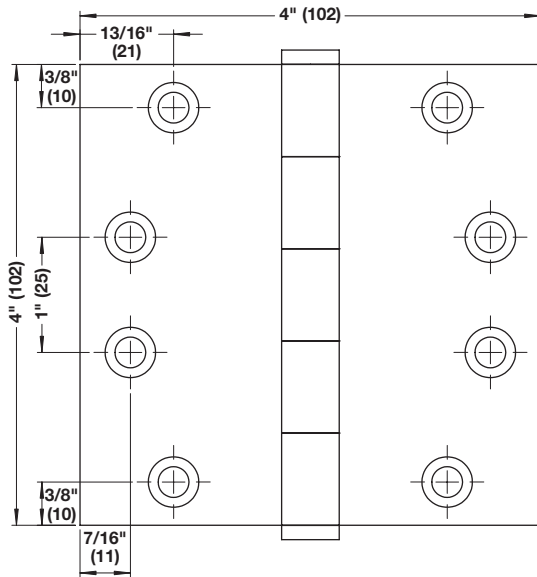


Finish	Item No.
632 bright brass (US3)	926.39.968
633 satin brass (US4)	926.39.969
609 satin brass, blackened (US5)	926.39.970
641 satin bronze, oil-rubbed (US10B)	926.39.971
618 bright nickel-plated (US14)	926.39.972
619 satin nickel-plated (US15)	926.39.973
gun metal (US15B)	926.39.974
612 nickel-plated, blackened (US17A)	926.39.975
622 flat black (US19)	926.39.976
625 bright chrome-plated (US26)	926.39.977

LH4545



Finish	Item No.
632 bright brass (US3)	926.39.978
633 satin brass (US4)	926.39.979
609 satin brass, blackened (US5)	926.39.980
641 satin bronze, oil-rubbed (US10B)	926.39.981
618 bright nickel-plated (US14)	926.39.982
619 satin nickel-plated (US15)	926.39.983
gun metal (US15B)	926.39.984
612 nickel-plated, blackened (US17A)	926.39.985
622 flat black (US19)	926.39.986
625 bright chrome-plated (US26)	926.39.987



Dimensional data not binding. We reserve the right to alter specifications without notice.

Dimensions in mm
 Inches are approximate

- > Extruded
- > Ball bearing
- > Material: Brass

LH3535 BB

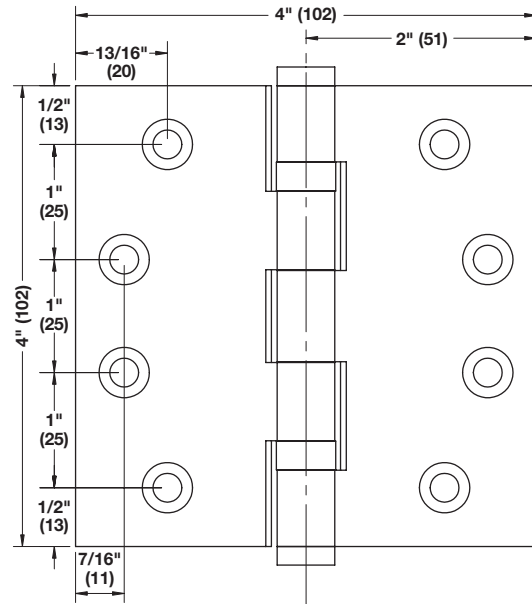
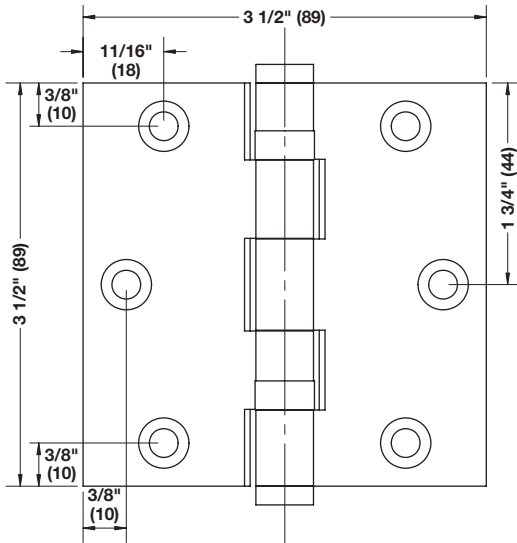


Finish	Item No.
632 bright brass (US3)	926.39.988
633 satin brass (US4)	926.39.989
609 satin brass, blackened (US5)	926.39.990
641 satin bronze, oil-rubbed (US10B)	926.39.991
618 bright nickel-plated (US14)	926.39.992
619 satin nickel-plated (US15)	926.39.993
gun metal (US15B)	926.39.994
612 nickel-plated, blackened (US17A)	926.39.995
622 flat black (US19)	926.39.996
625 bright chrome-plated (US26)	926.39.997

LH4040 BB



Finish	Item No.
632 bright brass (US3)	926.39.672
633 satin brass (US4)	926.39.673
609 satin brass, blackened (US5)	926.39.674
641 satin bronze, oil-rubbed (US10B)	926.39.675
618 bright nickel-plated (US14)	926.39.676
619 satin nickel-plated (US15)	926.39.677
gun metal (US15B)	926.39.678
612 nickel-plated, blackened (US17A)	926.39.679
622 flat black (US19)	926.39.680
625 bright chrome-plated (US26)	926.39.681



Dimensions in mm
 Inches are approximate

- > Extruded
- > Ball bearing
- > Material: Brass

LH4540 BB

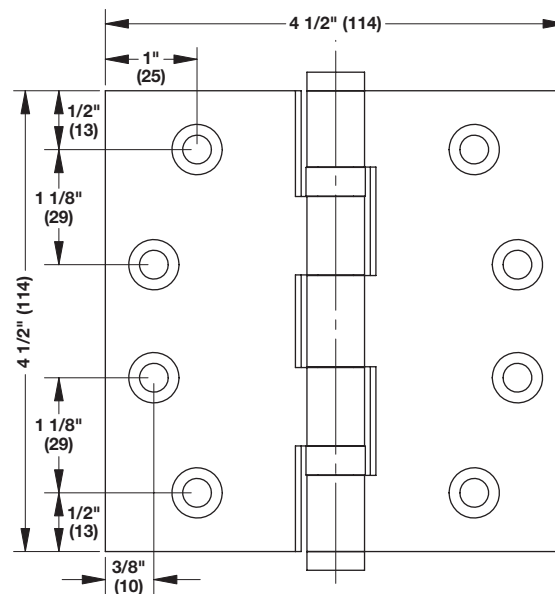
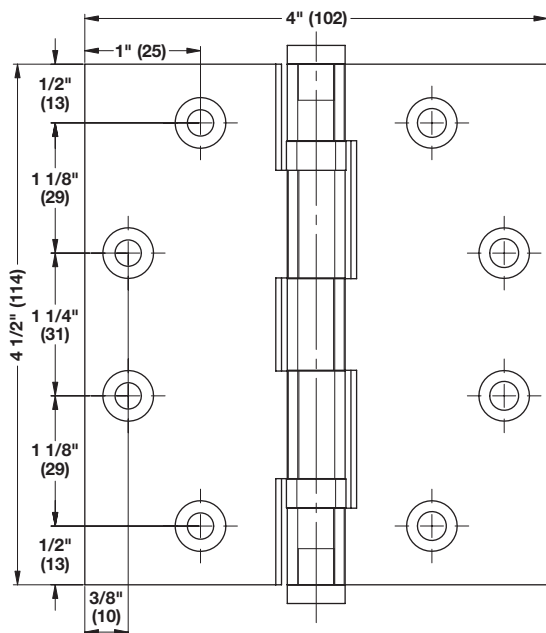


LH4545 BB



Finish	Item No.
632 bright brass (US3)	926.39.631
633 satin brass (US4)	926.39.632
609 satin brass, blackened (US5)	926.39.633
641 satin bronze, oil-rubbed (US10B)	926.39.634
618 bright nickel-plated (US14)	926.39.635
619 satin nickel-plated (US15)	926.39.636
gun metal (US15B)	926.39.637
612 nickel-plated, blackened (US17A)	926.39.638
622 flat black (US19)	926.39.639
625 bright chrome-plated (US26)	926.39.640

Finish	Item No.
632 bright brass (US3)	926.39.611
633 satin brass (US4)	926.39.612
609 satin brass, blackened (US5)	926.39.613
641 satin bronze, oil-rubbed (US10B)	926.39.614
618 bright nickel-plated (US14)	926.39.615
619 satin nickel-plated (US15)	926.39.616
gun metal (US15B)	926.39.617
612 nickel-plated, blackened (US17A)	926.39.618
622 flat black (US19)	926.39.619
625 bright chrome-plated (US26)	926.39.620



Dimensional data not binding. We reserve the right to alter specifications without notice.

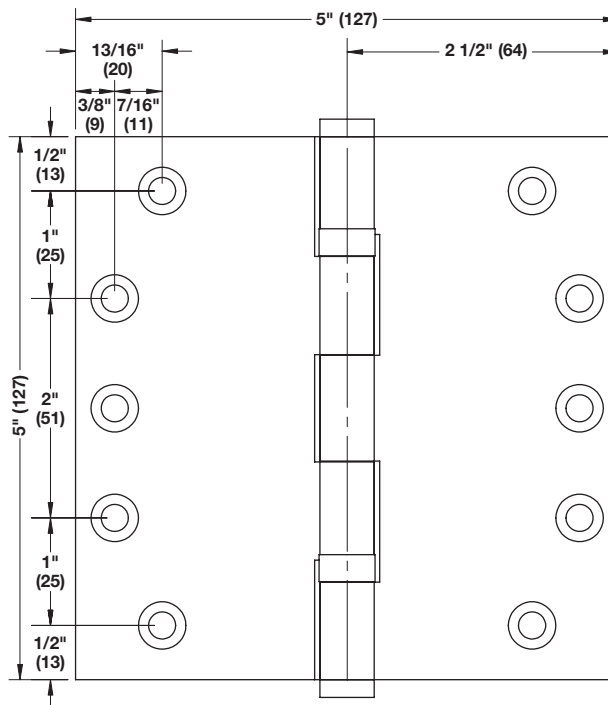
Dimensions in mm
Inches are approximate

- > Extruded
- > Ball bearing
- > Material: Brass

LH5050 BB



Finish	Item No.
632 bright brass (US3)	926.39.590
633 satin brass (US4)	926.39.591
609 satin brass, blackened (US5)	926.39.592
641 satin bronze, oil-rubbed (US10B)	926.39.593
618 bright nickel-plated (US14)	926.39.594
619 satin nickel-plated (US15)	926.39.595
gun metal (US15B)	926.39.596
612 nickel-plated, blackened (US17A)	926.39.597
622 flat black (US19)	926.39.598
625 bright chrome-plated (US26)	926.39.599



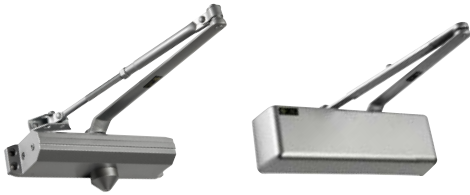
Dimensions in mm
 Inches are approximate

2

HÄFELE

DOOR CLOSERS





Closers

Standard Duty _____	2.3
Medium Duty _____	2.4
Medium/Heavy Duty _____	2.5
Heavy Duty _____	2.6
Extra Heavy Duty _____	2.7

Accessories

8000 Series (Arms, Drop Plates and Covers) _____	2.8 - 2.11
800 Series (Arms, Drop Plates and Covers) _____	2.12 - 2.14

Door Closers

Grade 2 Standard Duty Closer

- > Area of application: Ideal for suite entry doors and light commercial use
- > Features: Tri-packed (regular, top jamb and parallel arm mount)
- > Adjustment: Two valves regulate closing and latching speed
- > Certification: UL/cUL listed; BHMA Certified ANSI A156.4
- > H x W: 1 5/8" x 7 1/8" (41 x 181 mm)
- > Projection: 2 3/8" (60 mm)
- > Material: Cast Aluminum

LH303



Finish	Item No.
aluminum (AL)	931.65.547
bronze (DU)	931.65.552
brass (PB)	931.65.557

Note

See template for the hole dimensions.

- > Area of application: Ideal for commercial use
- Features: Tri-packed (regular, top jamb and parallel arm mount)
- > Adjustment: Two valves regulate closing and latching speed
- > Certification: UL/cUL listed; BHMA Certified ANSI A156.4
- > H x W: 1 5/8" x 8 7/8" (41 x 225 mm)
- > Projection: 2 7/8" (73 mm)
- > Material: Cast Aluminum

2

LH503/534



Model	Finish	Item No.
503 (size 3)	aluminum (AL)	931.65.548
	bronze (DU)	931.65.553
	brass (PB)	931.65.558
534 (size 4)	aluminum (AL)	931.65.549
	bronze (DU)	931.65.554
	brass (PB)	931.65.559

Note

See template for the hole dimensions.

Dimensional data not binding. We reserve the right to alter specifications without notice.

- > Area of application: Ideal for commercial use
- > Sizes: 1-6
- > Features: Tri-packed (regular, top jamb and parallel arm mount)
- > Adjustment: Three valves regulate closing, latching speed and back check
- > Certification: UL/cUL listed; BHMA Certified ANSI A156.4 Grade 1 to 2,000,000 cycles
- > H x W: 1 5/8" x 9 5/8" (41 x 244 mm)
- > Projection: 2 3/4" (70 mm)
- > Material: Cast Aluminum

LH5016



Finish	Item No.
aluminum (AL)	931.65.550
bronze (DU)	931.65.555

Note

See template for the hole dimensions.

Dimensional data not binding. We reserve the right to alter specifications without notice.

- > Area of application: Suitable for schools, hospitals and other high traffic applications
- > Sizes: 1-6
- > Features: Tri-packed (regular, top jamb and parallel arm mount)
- > Adjustment: Three valves regulate closing, latching speed and back check
- > Certification: UL/cUL listed; BHMA Certified ANSI A156.4 Grade 1 to 2,000,000 cycles
- > H x W: 2 7/8" x 13 1/16" (73 x 332 mm)
- > Projection: 2 1/8" (54 mm)
- > Optional cover finishes: 630 (US32D), 625 (US26)
- > Material: Cast Aluminum

2

LH816



Finish	Item No.
aluminum (AL)	931.65.551
bronze (DU)	931.65.556

Note

See template for the hole dimensions. Track arm, hold open and cushion stop available. Additional DA and BC values are standard.

Door Closers

Extra Heavy Duty Closer, with Cover

- > Area of application: Suitable for schools, hospitals, main entrances and other high traffic applications where maximum door control is required
- > Sizes: 1-6
- > Features: Tri-packed (regular, top jamb and parallel arm mount)
- > Adjustment: Three valves regulate closing, latching speed and back check
- > Certification: UL/cUL listed; BHMA Certified ANSI A156.4 Grade 1 to 2,000,000 cycles
- > H x W: 3 1/2" x 12 1/4" (89 x 311 mm)
- > Projection: 2 1/4" (57 mm)
- > Optional cover finishes: 630 (US32D) and 625 (US26) and 632 (US3)
- > Material: Cast Aluminum

LH8016



Finish	Item No.
aluminum (AL)	931.65.200
bronze (DU)	931.65.201

Note

See template for the hole dimensions. Track arm, hold open and cush stop are available; other options include long rod and shoe. Additional DA and BC values are standard. Optional cover finishes: 630 (US32D), 625 (US26) and 632 (US3).

ARM41 Hold Open Arm



- > Optional arm provides hold open function with templated stop/hold open points
- > Handle controls hold open function

Finish	Item No.
aluminum (AL)	931.65.215
bronze (DU)	931.65.216

CSA40 Cush Stop Arm



- > Optional, non-handed parallel arm features solid main arm and forearm with stop in soffit shoe

Finish	Item No.
aluminum (AL)	931.65.228
bronze (DU)	931.65.229

DPPA35 Drop Plate



- > Required for parallel arm mounting where top rail is less than 5 1/2" (140 mm), measured from the stop
- > Plate requires 2" (50 mm) minimum top rail

Finish	Item No.
aluminum (AL)	931.65.245
bronze (DU)	931.65.246



DPSS32 Drop Plate



- > Required for hinge side mount where top rail is less than 3 3/4" (94 mm)
- > Plate requires 2" (50 mm) minimum top rail

Finish	Item No.
aluminum (AL)	931.65.247
bronze (DU)	931.65.248

Dimensional data not binding. We reserve the right to alter specifications without notice.

DPSS34 Drop Plate



- > Centers top jamb mounted closer vertically on head frame where face is less than 3 1/2" (90 mm)
- > Plate requires 1 3/4" (44 mm) minimum head frame

Finish	Item No.
aluminum (AL)	931.65.251
bronze (DU)	931.65.252

2

SNBAL Sex Nuts



- > Supplied standard on 8016 closer; optional for 816 and 5000 series closers

Finish	Item No.
aluminum (AL)	931.65.281
bronze (DU)	931.65.282

LH044 Hold Open Arm



> Optional, non-handed with friction hold open

Finish	Item No.
aluminum (AL)	931.65.217
bronze (DU)	931.65.218



LHHD42 Heavy Duty Arm



> Non-handed parallel arm features forged, solid steel main and forearm for abusive installations

Finish	Item No.
aluminum (AL)	931.65.213
bronze (DU)	931.65.214

Stainless Steel Cover

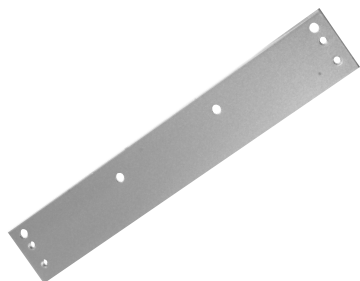


> Optional, non-handed

Finish	Item No.
630 satin stainless steel (US32D)	931.65.931
632 bright brass (US3)	931.65.938

Dimensional data not binding. We reserve the right to alter specifications without notice.

DP816 Drop Plate



- > Required for hinge side mount where top rail is less than 2 1/2" (65 mm)
- > Required for top jamb mounting where head frame is less than 1 3/4" (44 mm) or flush ceiling exists
- > Plate requires minimum 1 1/2" (38 mm) top rail or 1 1/4" (31 mm) head frame

Finish	Item No.
aluminum (AL)	931.65.241
bronze (DU)	931.65.242

DPPA816 Drop Plate



- > Required for parallel arm mounting where top rail is less than 4 3/8" (111 mm), measured from the stop
- > Plate requires 1 3/4" (45 mm) minimum top rail

Finish	Item No.
aluminum (AL)	931.65.243
bronze (DU)	931.65.244

Dimensional data not binding. We reserve the right to alter specifications without notice.

Extended Rod and Shoe



> For top jamb mounts with deep reveals

Finish	Item No.
aluminum (AL)	931.65.291
bronze (DU)	931.65.292



LHCHST816 Cush Stop Arm



> Optional, non-handed parallel arm features solid forged steel main arm and forearm with stop in soffit shoe

Finish	Item No.
aluminum (AL)	931.65.224
bronze (DU)	931.65.225

LHCHSTHD816 Cush Stop Hold Arm



- > Optional, non-handed parallel arm features solid forged steel main and forearm
- > Provides hold open function with templated stop/hold open points
- > Handle controls hold open function

Finish	Item No.
aluminum (AL)	931.65.226
bronze (DU)	931.65.227

Dimensional data not binding. We reserve the right to alter specifications without notice.

LHHOA816 Hold Open Arm



> Optional non-handed arm with hold open adjustable at shoe

Finish	Item No.
aluminum (AL)	931.65.219
bronze (DU)	931.65.221

LH816 Track Arm (pull side only)



> Universal slim line single lever track arm designed for interior use on narrow head frames and top rails

Finish	Item No.
aluminum (AL)	931.65.211
bronze (DU)	931.65.212

800 Series Stainless Steel Cover



> Optional, non-handed stainless steel cover provides complete enclosure

Finish	Item No.
630 satin stainless steel (US32D)	931.65.980

Dimensional data not binding. We reserve the right to alter specifications without notice.

3

HÄFELE

EXIT DEVICES





Exit Devices 8000 Series

Applications	3.3 - 3.4
Rim Devices	3.5
Mortise	3.6
Surface Vertical Rod (SVR)	3.7
Concealed Vertical Rod (CVR)	3.8
Wood Door Concealed Vertical Rod (CVR)	3.8
Narrow Rim Devices	3.9
Narrow Surface Vertical Rod Devices (SVR)	3.10
Narrow Concealed Vertical Rod Devices (CVR)	3.11
Materials, SNB, Shim Kits and Strikes	3.12 - 3.17
Double Door Applications	3.18



Exit Devices 8000 Series Trims

Trims	3.19 - 3.28
Fire Latch Bolt	3.29
Dogging Options	3.30
Cylinder Options	3.31
Vandal Resistant Trim	3.32
Vandal Resistant Trim with Latchguard	3.33



Exit Devices 5000 Series

Applications	3.34
5500 Series Rim Devices	3.35
5500 Series Surface Vertical Rod	3.36
5600 Series Rim Devices	3.38
5600 Series Surface Vertical Rod	3.39



Exit Devices 5000 Series Trims

Trims	3.40 - 3.44
Strikes and Shims	3.45
Double Door Applications	3.46

Applications

Exit Device (also known as panic device or panic hardware) is terminology used in architectural hardware. It is a type of lock having a push bar (also known as a push pad, push rail or touch bar). When the push bar is depressed it will retract the latch bolt (s) permitting the door to be opened in the direction of travel. An Exit device is a critical part of the Fire, Life Safety and Security in all types of buildings.

Exit devices have two classifications: Panic hardware and Fire exit hardware. Both are designed to provide immediate egress. All Exit devices are tested and listed by an authorized, nationally recognized independent test laboratory. All Exit devices meet or exceed ANSI/BHMA A156.3 specifications.

8000 Series exit devices are suitable for use in the following types of buildings:

- > Offices
- > Multi-Family
- > Factories
- > Hospitality
- > Apartments
- > Healthcare
- > Gymnasiums
- > Education
- > Retail Stores
- > Stadiums
- > Parking Garages
- > Restaurants

8000 Series exit devices are of superior quality and performance. These heavy duty devices are designed to exceed standards. The 8000 series has a modern look and are suitable for heavy traffic applications. The 8000 Series are Underwriters Laboratories (UL, and cUL) listed for Panic exit hardware or Fire exit hardware and certified as ANSI/BHMA Grade 1.

Features

- > All devices are non-handed
- > The center case is multi-functional
- > Pressure along any part of the touch pad will retract latch bolt
- > Auxiliary guarded latch deadlocks automatically when door closes
- > High shock resistant latching mechanism designed for protection from vandalism or forced entry
- > All inside components are made of rust resistant alloy or zinc dichromate plated steel
- > Panic hardware users have the option of hex key (standard) or cylinder dogging (special order); allowing for convenient push pull operation during peak traffic times

The 8000 Series is a heavy duty modern push bar design that offers two external surface styles: smooth device body (optional) and grooved device body (standard). The 8500 and 8600 Series feature a smooth device body. The 8700 and 8800 Series are grooved device bodies.

These two styles feature rugged performance and elegant appearance. The two styles are uniform in dimensions and mechanical construction. The two different styles provide a choice for architects and end users.



8500 Series (narrow stile)
Smooth device body



8600 Series (wide stile)
Smooth device body

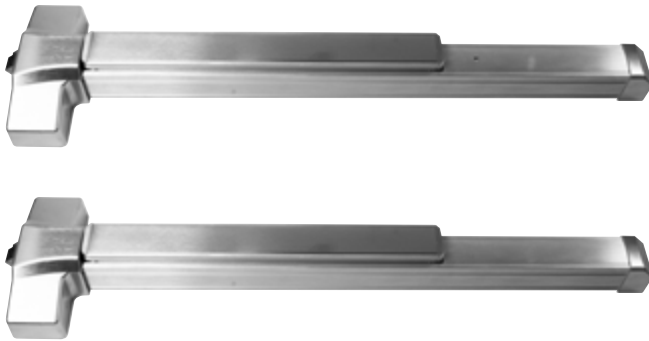


8700 Series (narrow stile)
Grooved device body



8800 Series (wide stile)
Grooved device body

- > Area of application: 8610S/8810S devices are used for all types of single and double door applications with mullion
8610F/8810F devices are used for listed fire labeled single doors up to 4' x 8' (1219 mm x 2438 mm) or 8' x 8' (2438 mm x 2438 mm) double doors with mullion.
- > Device lengths: 36" (914 mm) actual end to end length 33 1/2" (850 mm)
- > Door widths: For 29" to 36" (736 mm to 914 mm) doors
- > Minimum stile width: 4 1/4" (107 mm)
- > Latch bolt: 3/4" (19 mm) throw, deadlocking design
- > Strikes: 801 (panic), 802 (fire)
- > Dogging: Panic device: Hex key dogging (RD) standard; Fire exit device: No dogging (ND)
- > Dogging options: Cylinder dogging (CD); Less dogging (LD)
- > Fasteners: Panic device: Machine screws supplied standard for HMD, sex nuts and bolts (SNB) can be ordered separately for wood doors; Fire exit device: Sex nuts and bolts (SNB) supplied standard
- > Mounting height: Standard device centerline from finished floor is 40" (1016 mm)
- > Projection: Push bar neutral 3 1/16" (78 mm); Push bar depressed 2 19/32" (66 mm)
- > Certifications: UL/cUL listed for Panic exit hardware and 3 hour rating for Fire exit hardware
ANSI/BHMA certified: Devices are A156.3 Grade 1
- > Finish: 626 satin chrome-plated (US26D)



Version	Item No.
8810S – panic-rated	911.79.950
8810F – fire-rated	911.79.951
8610S – panic-rated	911.51.180
8610F – fire-rated	911.51.181

Dimensional data not binding. We reserve the right to alter specifications without notice.

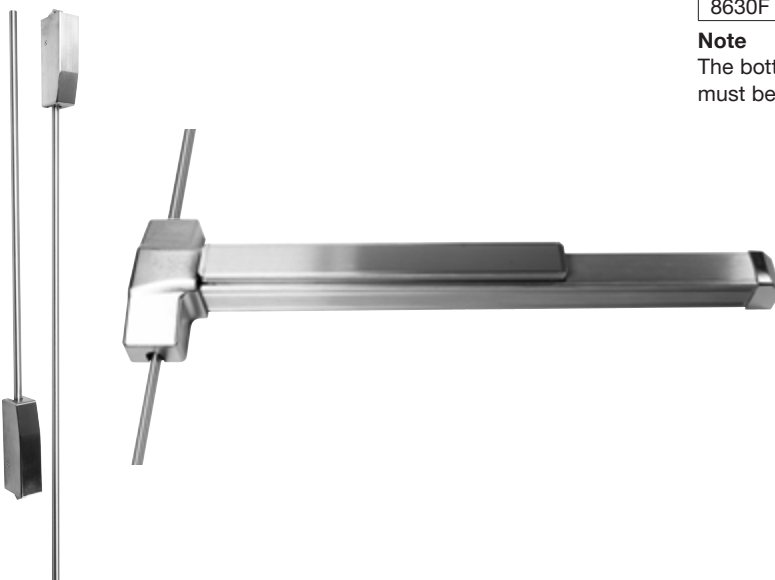
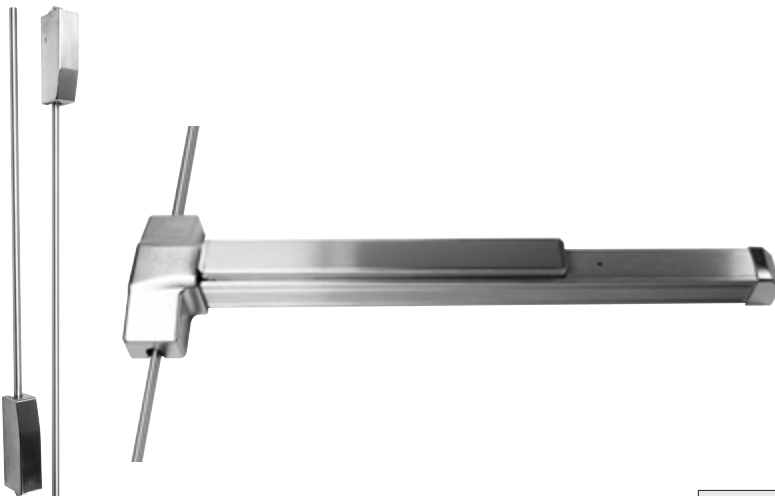
- > Area of application: 8620S/8820S devices are used for all types of single and double door applications with mullion
 8620F/8820F devices are used for listed fire labeled single doors up to 4' x 8' (1219 mm x 2438 mm) or 8' x 8' (2438 mm x 2438 mm double doors with mullion)
- > Device lengths: 36" (914 mm) actual end to end length 33 1/2" (850 mm)
- > Door widths: For 29" to 36" (736 mm to 914 mm) doors
- > Minimum stile width: 4 1/4" (107 mm)
- > Latch bolt: Stainless Steel two piece mechanical 3/4" (19 mm) with anti-friction insert and auxiliary deadlocking latch
- > Strikes: Universal curved lip, non-handed, 818 (Panic), 828 (Fire). Optional 831 (panic) or 832 (fire) flat ANSI strike
- > Dogging: Panic device: Hex key dogging (RD) standard; Fire exit device: No dogging (ND)
- > Dogging options: Cylinder dogging (CD); Less dogging (LD)
- > Fasteners: Panic device: Machine screws supplied standard for HMD, sex nuts and bolts (SNB) can be ordered separately for wood doors; Fire exit device: Sex nuts and bolts (SNB) supplied standard
- > Mounting height: Standard device centerline from finished floor is 40" (1016 mm)
- > Projection: Push bar neutral 3 1/16" (78 mm); Push bar depressed 2 19/32" (66 mm)
- > Certifications: UL/cUL listed for Panic exit hardware and 3 hour rating for Fire exit hardware
 ANSI/BHMA certified: devices are A156.3 Grade 1
- > Finish: 626 satin chrome-plated (US26D)

3



Version	Item No.
8820S – panic-rated	911.79.952
8820F – fire-rated	911.79.953
8620S – panic-rated	911.51.182
8620F – fire-rated	911.51.183

- > Area of application: 8630S/8830S devices are used primarily for double door applications
 8630F/8830F devices are used for listed fire labeled double doors up to 8' x 8' (2438 mm x 2438 mm)
- > Device lengths: 36" (914 mm) actual end to end length 33 1/2" (850 mm)
- > Door widths: For 29" to 36" (736 mm to 914 mm) doors
- > Minimum stile width: 4 1/4" (107 mm)
- > Latch bolt: Top latch - 5/8" (16 mm) throw. Bottom latch - 5/8" (16 mm) throw, held in retracted position during door swing
- > Strikes: Top - 812 (panic), 822 (fire); Bottom - 815 (panic), 825 (fire)
- > Dogging: Panic device: Hex key dogging (RD) standard; Fire exit device: No dogging (ND)
- > Dogging options: Cylinder dogging (CD); Less dogging (LD)
- > Fasteners: Panic device: Machine screws supplied standard for HMD, sex nuts and bolts (SNB) can be ordered separately for wood doors; Fire exit device: Sex nuts and bolts (SNB) supplied standard
- > Mounting height: Standard device centerline from finished floor is 40" (1016 mm)
- > Door opening height: Available for standard door height of 7' or 8' (2133 or 2438 mm)
- > Vertical rods: 1/2" (13 mm) diameter tubular with rod guides, top rod has two pieces to accommodate 7' or 8' (2133 or 2438 mm) doors; Bottom rod is one piece with a length of 31 1/4" (794 mm)
- > Projection: Push bar neutral 3 1/16" (78 mm); Push bar depressed 2 19/32" (66 mm)
- > Certifications: UL/cUL listed for Panic exit hardware and 3 hour rating for Fire exit hardware
 ANSI/BHMA certified: devices are A156.3 Grade 1
- > Finish: 626 satin chrome-plated (US26D)



Version	Item No.
8830S – panic-rated	911.79.954
8830F – fire-rated	911.79.955
8630S – panic-rated	911.51.184
8630F – fire-rated	911.51.185

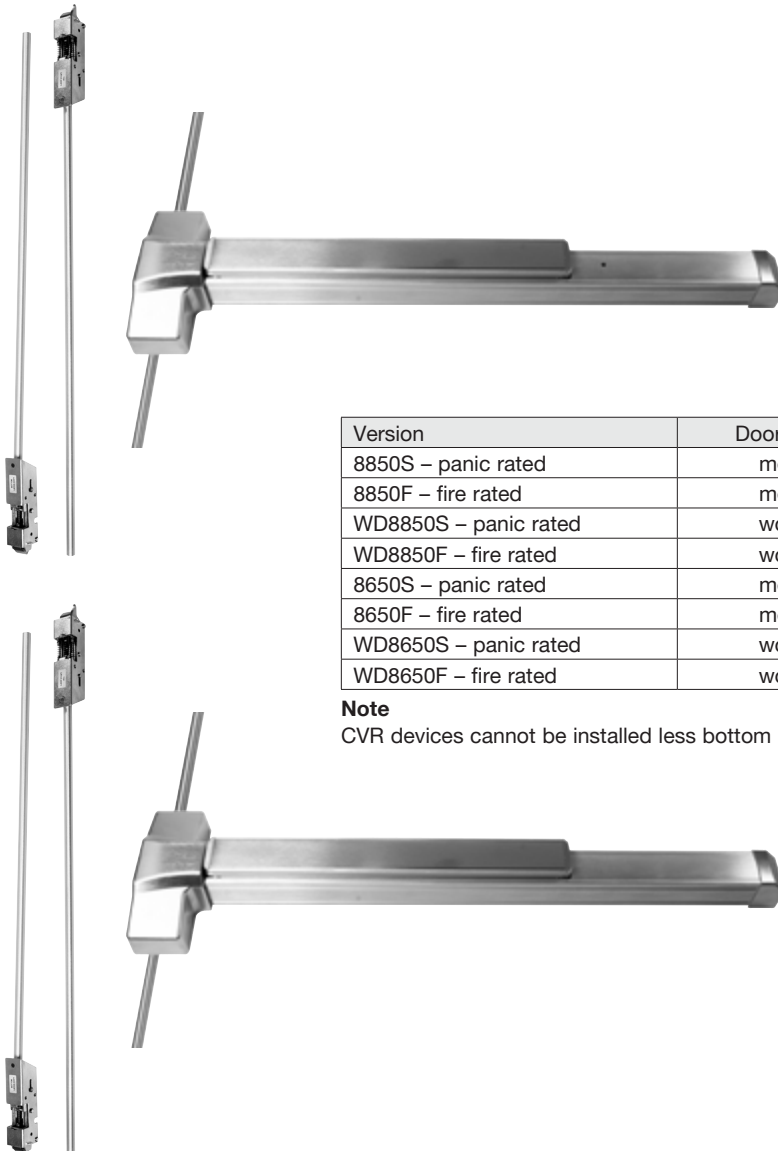
Note

The bottom rod of a standard fire rated SVR exit device must be installed.

Dimensional data not binding. We reserve the right to alter specifications without notice.

- > Area of application: 8650S/WD8650S/8850S/WD8850S devices are used primarily for double door applications. 8650F/WD8650F/8850F/WD8850F devices are used for listed fire labeled double doors up to 8' x 8' (2438 mm x 2438 mm).
 WD8850S/8850F furnished with 2 reinforced plates to strengthen top and bottom edge of wood door.
- > Device lengths: 36" (914 mm) actual end to end length 33 1/2" (850 mm)
- > Door widths: For 29" to 36" (736 mm to 914 mm) doors
- > Minimum stile width: 4 1/4" (107 mm)
- > Latch bolt: Top latch - 5/8" (16 mm) throw; Bottom latch - 5/8" (16 mm) throw, held in retracted position during door swing
- > Strikes: Top - 813 (panic), 823 (fire); Bottom - 815 (panic), 825 (fire)
- > Dogging: Panic device: Hex key dogging (RD) standard; Fire exit device: No dogging (ND)
- > Dogging options: Cylinder dogging (CD); Less dogging (LD)
- > Fasteners: Panic device: Machine screws supplied standard for HMD; Fire exit device: Sex nuts and bolts (SNB) supplied standard
- > Mounting height: Standard device centerline from finished floor is 40" (1016 mm)
- > Door opening height: Available for standard door height of 7' or 8' (2133 or 2438 mm)
- > Vertical rods: Ø1/2" (13 mm) tubular with rod guides; Top rod has two pieces to accommodate 7' or 8' (2133 or 2438 mm) doors; Bottom rod is one piece 31 1/4" (794 mm) long
- > Projection: Push bar neutral 3 1/16" (78 mm); Push bar depressed 2 19/32" (66 mm)
- > Certifications: UL/cUL listed for Panic exit hardware and 3 hour rating for Fire exit hardware
 ANSI/BHMA certified: devices are A156.3 Grade 1
- > Finish: 626 satin chrome-plated (US26D)

3



Version	Door Type	Finish	Item No.
8850S – panic rated	metal	grooved	911.79.956
8850F – fire rated	metal	grooved	911.79.957
WD8850S – panic rated	wood	grooved	911.52.416
WD8850F – fire rated	wood	grooved	911.52.417
8650S – panic rated	metal	smooth	911.51.186
8650F – fire rated	metal	smooth	911.51.187
WD8650S – panic rated	wood	smooth	911.51.188
WD8650F – fire rated	wood	smooth	911.51.189

Note
 CVR devices cannot be installed less bottom rod (LBR)

Dimensions in mm
 Inches are approximate

Dimensional data not binding. We reserve the right to alter specifications without notice.

- > Area of application: 8510S/8710S devices are used for narrow stile aluminum door applications. Narrow stile devices may also be used on wide stile doors for appearance.
 8510F/8710F devices are used for listed fire labeled single doors up to 4' x 8' (1219 mm x 2438 mm) or 8' x 8' (2438 mm x 2438 mm) double doors with mullion.
- > Device lengths: 36" (914 mm) actual end to end length 33 1/2" (850 mm)
- > Door widths: For 29" to 36" (736 mm to 914 mm) doors
- > Minimum stile width: 2 19/16" (66 mm)
- > Latch bolt: 3/4" (19 mm) throw, deadlocking design; Bottom - 801 (panic) , 802 (fire)
- > Dogging: Panic device: Hex key dogging (RD) standard; Fire exit device: No dogging (ND)
- > Dogging options: Cylinder dogging (CD); Less dogging (LD)
- > Fasteners: Panic device - Machine screws furnished standard, sex nuts and bolts (SNB) can be ordered separately for wood doors; Fire Exit Device - Sex nuts and bolts (SNB) supplied standard
- > Mounting height: Standard device centerline from finished floor is 40" (1016 mm)
- > Projection: Push bar neutral 3 1/16" (78 mm). Push bar depressed 2 19/32" (66 mm)
- > Certifications: UL/cUL listed for Panic exit hardware and 3 hour rating for Fire exit hardware
 ANSI/BHMA certified: devices are a156.3 Grade 1
- > Finish: 626 satin chrome-plated (US26D)



Version	Item No.
8710S – panic-rated	911.79.958
8710F – fire-rated	911.79.959
8510S – panic-rated	911.51.190
8510F – fire-rated	911.51.191

Dimensional data not binding. We reserve the right to alter specifications without notice.

Dimensions in mm
 Inches are approximate

- > Area of application: 8530S/8730S devices are used primarily for double door applications on glass aluminum doors. 8530F/8730F devices are used for appearance on listed fire labeled double doors up to 8' x 8' (2438 mm x 2438 mm).
- > Device lengths: 36" (914 mm) actual end to end length 33 1/2" (850 mm)
- > Door widths: For 29" to 36" (736 mm to 914 mm) doors
- > Minimum stile width: 2 19/16" (66 mm)
- > Latch bolt: Top latch - 5/8" (16 mm) throw; Bottom latch - 5/8" (16 mm) throw. Held in retracted position during door swing.
- > Strikes: Top - 812 (panic), 822 (fire); Bottom - 815 (panic), 825 (fire)
- > Dogging: Panic device: Hex key dogging (RD) standard; Fire exit device: No dogging (ND)
- > Dogging options: Cylinder dogging (CD); Less dogging (LD)
- > Fasteners: Panic device - Machine screws furnished standard for HMD and SNB furnished for top and bottom latches Optional (SNB) can be ordered separately for device; Fire exit device - Sex nuts and bolts (SNB) supplied standard
- > Mounting height: Standard device centerline from finished floor is 40" (1016 mm)
- > Door opening height: Available for standard door height of 7' or 8' (2133 or 2438 mm)
- > Vertical rods: Ø1/2" (13 mm) tubular with rod guides; Top rod has two pieces to accommodate 7' or 8' (2133 or 2438 mm) doors; Bottom rod is one piece 31 1/4" (794 mm) long
- > Projection: Push bar neutral 3 1/16" (78 mm); Push bar depressed 2 19/32" (66 mm)
- > Certifications: UL/cUL listed for Panic exit hardware and 3 hour rating for Fire exit hardware
ANSI/BHMA certified: devices are A156.3 Grade 1
- > Finish: 626 satin chrome-plated (US26D)

3

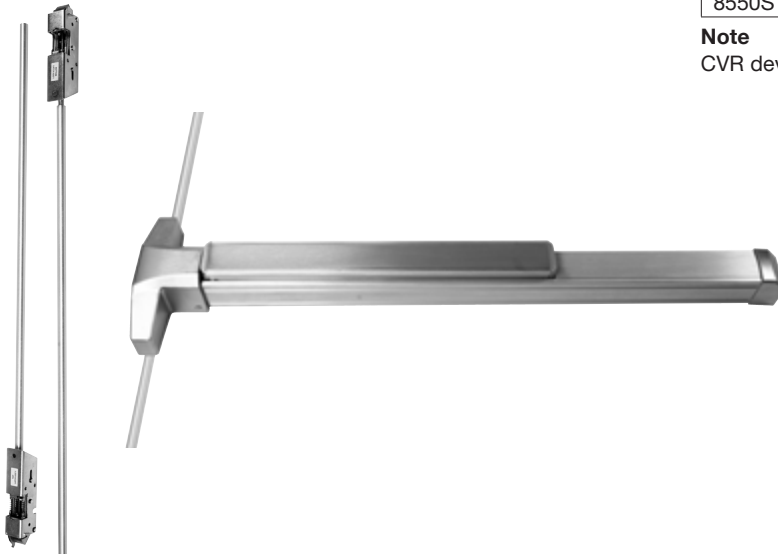
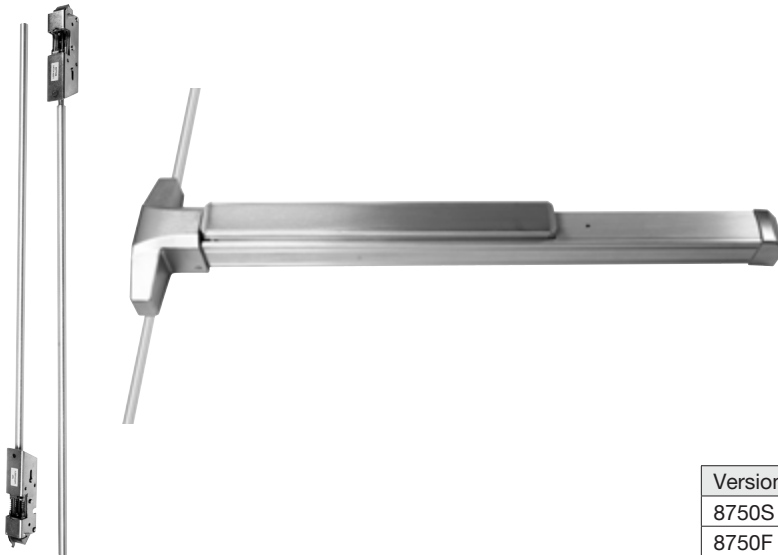


Version	Item No.
8730S – non-fire-rated	911.79.960
8730F – fire-rated	911.79.961
8530S – panic-rated	911.51.192
8530F – fire-rated	911.51.193

Dimensional data not binding. We reserve the right to alter specifications without notice.

Dimensions in mm
 Inches are approximate

- > Area of application: 8550S/8750S devices are used primarily for double door applications on glass aluminum doors
8550F/8750F devices are used for appearance on listed fire labeled double doors up to 8' x 8' (2438 mm x 2438 mm).
- > Device lengths: 36" (914 mm) actual end to end length 33 1/2" (850 mm)
- > Door widths: For 29" to 36" (736 mm to 914 mm) doors
- > Minimum stile width: 2 19/16" (66 mm)
- > Latch bolt: Top latch - 5/8" (16 mm) throw; Bottom latch - 5/8" (16 mm) throw, held in retracted position during door swing
- > Strikes: Top - 813 (panic), 823 (fire); Bottom - 815 (panic), 825 (fire)
- > Dogging: Panic device: Hex key dogging (RD) standard; Fire exit device: No dogging (ND)
- > Dogging options: Cylinder dogging (CD); Less dogging (LD)
- > Fasteners: Panic device - Machine screws furnished standard for HMD and SNB furnished for top and bottom latches
Optional (SNB) can be ordered separately for device; Fire exit device - Sex nuts and bolts (SNB) supplied standard
- > Mounting height: Standard device centerline from finished floor is 40" (1016 mm)
- > Door opening height: Available for standard door height of 7' or 8' (2133 or 2438 mm)
- > Vertical rods: Ø1/2" (13 mm) tubular with rod guides; Top rod has two pieces to accommodate 7' or 8' (2133 or 2438 mm) doors; Bottom rod is one piece 31 1/4" (794 mm) long
- > Projection: Push bar neutral 3 1/16" (78 mm); Push bar depressed 2 19/32" (66 mm)
- > Certifications: UL/cUL listed for Panic exit hardware and 3 hour rating for Fire exit hardware
ANSI/BHMA certified: devices are A156.3 Grade 1
- > Finish: 626 satin chrome-plated (US26D)



Version	Item No.
8750S – panic-rated	911.79.962
8750F – fire-rated	911.79.963
8550S – panic-rated	911.51.194
8550S – fire-rated	911.51.195

Note

CVR devices cannot be installed less bottom rod (LBR)

Dimensional data not binding. We reserve the right to alter specifications without notice.

Wide and Narrow Stile Devices

Part Name	Material
1. Auxiliary Guarded Latch	Stainless Steel
2. Latch Bolt, 3/4" (19 mm) throw	Stainless Steel
3. Chassis Cover (Head Cover)	Nonferrous Alloy or Stainless Steel
4. Chassis Plated	Steel
5. Push Bar	Extruded Aluminum
6. Push Bar End Cap	Nonferrous Alloy
7. Push Bar Trim	Brass, Stainless Steel, Steel
8. Mechanism Housing (Device Body)	Extruded Aluminum
9. Dogging Plate (Rear Cover)	Extruded Aluminum
10. End Cap	Nonferrous Alloy
11. Top Latch, 5/8" (16 mm) throw	Stainless Steel
12. Latch Assembly Cover Brass,	Stainless Steel, Steel
13. Top Vertical Rod and Rod Guide	Strong Aluminum Tube
14. Bottom Vertical Rod	Strong Aluminum Tube
15. End Cap Bracket	Plated Steel
16. Bottom Latch, 5/8" (16 mm) throw	Stainless Steel

Wide Stile Device Lengths

> The device lengths are precut for 36" (914 mm) and 48" (1219 mm) wide door use (standard shipping size)

The Short Device, 36"

- > 36" (914 mm) has an actual end to end length of 33 1/2" (850 mm) suitable for a 36" (914 mm) wide door use
- > Push pad length is 18 1/4" (464 mm)
- > The short device can be cut down to a minimum end to end size of:
 - Standard device (S) 27" (686 mm)
 - Fire rated device (F) 25 1/4" (641 mm)

The Long Device, 48"

- > 48" (1219 mm) has an actual end to end length of 45 1/2" (1156 mm) suitable for a 48" (1219 mm) wide door use
- > Push pad length is 21 1/2" (546 mm)
- > The long device can be cut down to a minimum end to end size of:
 - Standard device (S) 31" (787 mm)
 - Fire rated device (F) 28 1/2" (724 mm)

Vertical Rods

Our standard and fire rated vertical rod exit device accommodates up to 8' (2438 mm) doors. Fire rated devices may be ordered for up to 10' (3048 mm) fire exit doors. Specify door height if greater than standard sizes when ordering.

Note

For fire rated devices consult door manufacturers literature for maximum allowable door height and width. End to end length does not include latch bolt.

Dimensional data not binding. We reserve the right to alter specifications without notice.

Narrow Stile Device Lengths

> The device lengths are precut for 36" (914 mm) and 48" (1219 mm) wide door use (standard shipping size)

The Short Device, 36"

- > 36" (914 mm) has an actual end to end length of 34 1/4" (870 mm) suitable for a 36" (914 mm) wide door use
- > Push pad length is 18 1/4" (546 mm)
- > The short device can be cut down to a minimum end to end size of:
 - Standard device (S) 27" (686 mm)
 - Fire rated device (F) 25 1/4" (641 mm)

The Long Device, 48"

- > 48" (1219 mm) has an actual end to end length of 45" (1143 mm) suitable for a 48" (1219 mm) wide door use
- > Push pad length is 21 1/2" (456 mm)
- > The long device can be cut down to a minimum end to end size of:
 - Standard device (S) 32 1/2" (826 mm)
 - Fire rated device (F) 31" (787 mm)

Vertical Rods

Our standard and fire rated vertical rod exit device accommodates up to 8' (2438 mm) doors. Fire rated devices may be ordered for up to 10' (3048 mm) fire exit doors. Specify door height if greater than standard sizes when ordering.

Note

For fire rated devices consult door manufacturers literature for maximum allowable door height and width. End to end length does not include latch bolt.

Sex Nuts and Bolts (SNB) – Supplied with fire rated devices

SNB-For 1-3/4" Door



SNB-For 2-1/4" Door



SNB-For 2-1/2" Door



Dimensional data not binding. We reserve the right to alter specifications without notice.

Dimensions in mm
 Inches are approximate

Vertical Rod



Latch Cover



Device Head



Cover Touch Bar



Mechanism Housing



End Cap



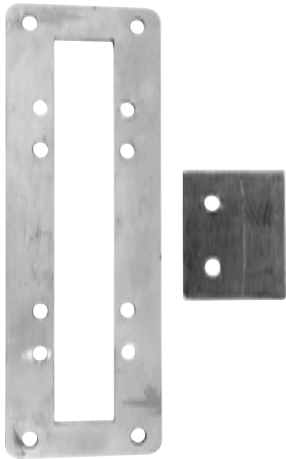
Dogging Hole
(Panic Only)



3

Shim Kits 8000 Series (made to order – customer special)

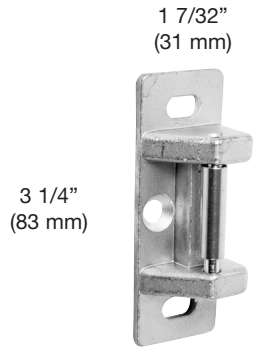
- > 1/8" (3 mm) thick shim plates for use on door with glass bead
- > Foot print matches 8000 series
- > Devices as specified (8700 or 8800)



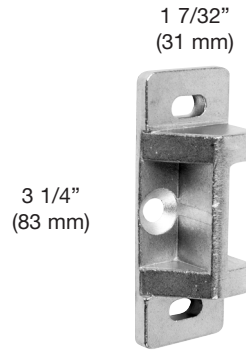
Dimensions in mm
Inches are approximate

AHAS 3.14

Rim Strikes

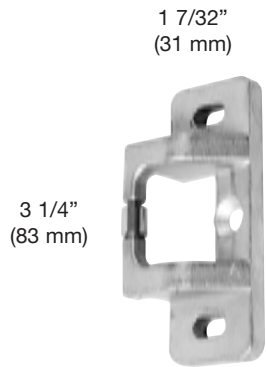


Projection:
13/16"
(21 mm)

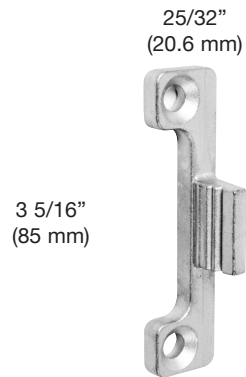


Projection:
13/16"
(21 mm)

Mullion Strikes (sold separately)



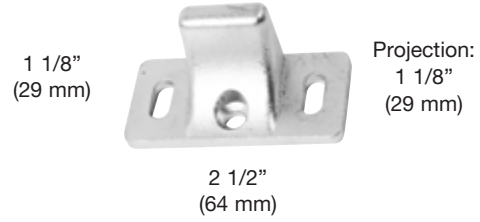
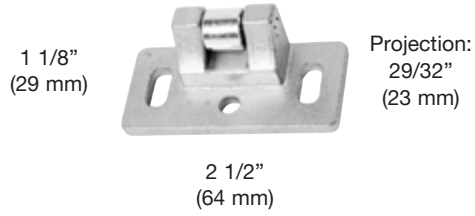
Projection:
7/8"
(22.5 mm)



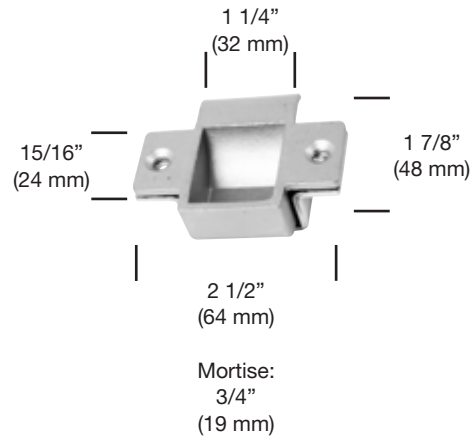
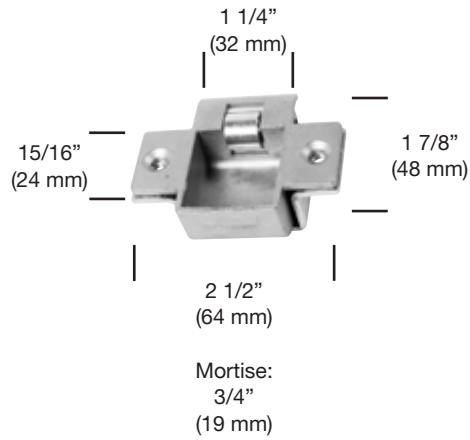
Projection:
7/8"
(22.5 mm)

Dimensional data not binding. We reserve the right to alter specifications without notice.

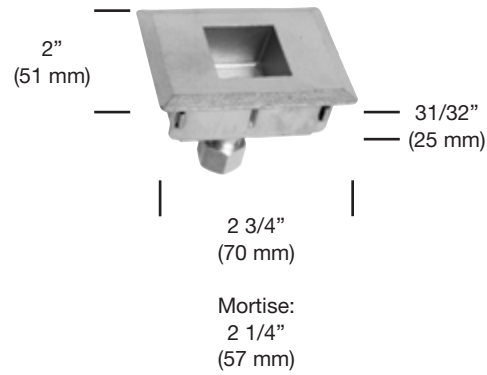
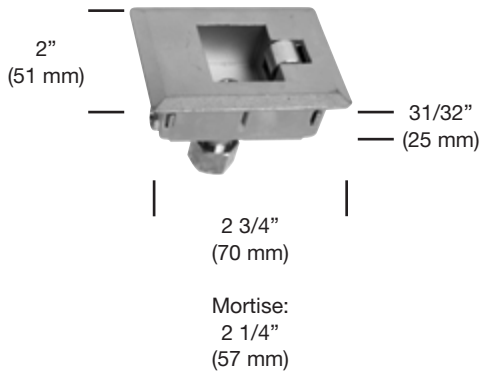
Top Strikes SVR



Top Strikes CVR



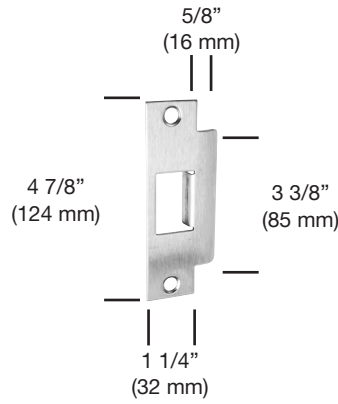
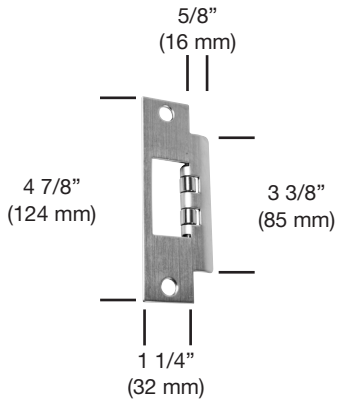
Bottom Strikes (Floor Strikes)



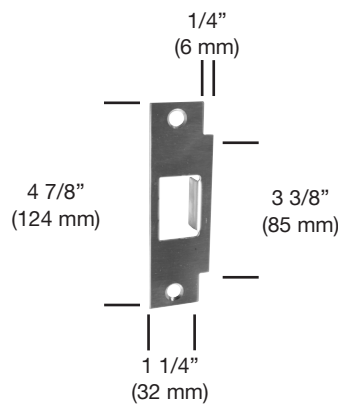
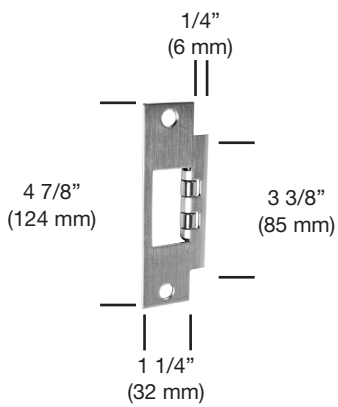
3

Mortise Strikes

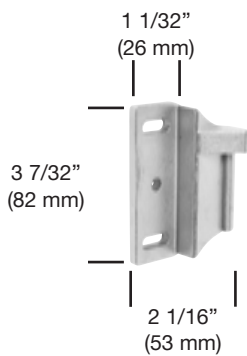
Standard Lip



Short Lip



Double Door Strike (sold separately)

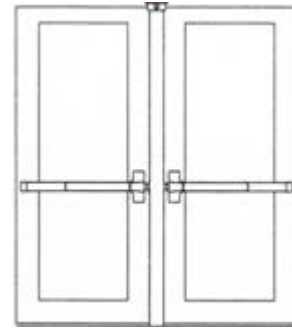


Dimensional data not binding. We reserve the right to alter specifications without notice.

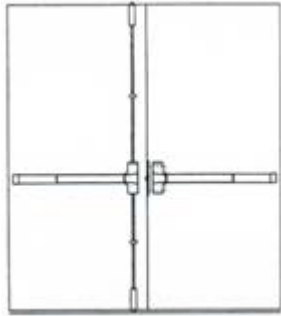
Dimensions in mm
Inches are approximate



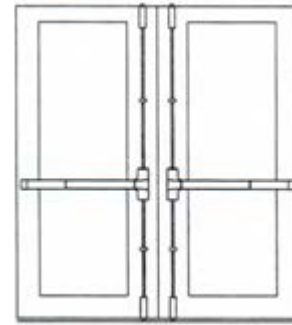
Rim Device and SVR or CVR Device combination – same direction. Overlapping astragal is not required. Coordinator with double door strike is required.



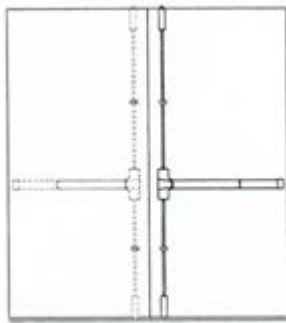
Two Rim Devices on two independent active doors with removable mullion.



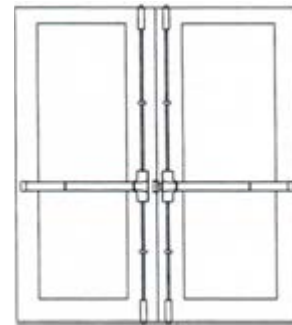
Mortise Lock Device and SVR Device combination – same direction. Overlapping astragal is not required. Coordinator with standard ANSI strike is required.



Two Surface Vertical Rod Devices (SVR) or Concealed Vertical Rod Devices (CVR) – same direction. Overlapping astragal is not required.



Two Surface Vertical Rod Devices (SVR) – double egress. Overlapping astragal is optional.



SVR and Three-Latching Device combination – same direction. Overlapping astragal is not required. Coordinator with double door strike is required.

Dimensional data not binding. We reserve the right to alter specifications without notice.

Flat Top Escutcheon

- > Features:
 - Non-handed trim is easy to install
 - Lever handle allows convenient one hand operation
 - Escutcheon trim has four through-bolts connected to the device chassis for security and durability
 - Trims fit 1 3/4" (44 mm) doors standard. For 2" (51 mm), 2 1/4" (57 mm) or any other non-standard door thicknesses, please specify when ordering.
 - When locked the lever is rigid and in the horizontal position to prevent the lock from being damaged.
- > Escutcheon plate dimensions: 9 7/16" x 2 15/16" x 13/16" (240 x 75 x 21 mm)
- > Material: Alloy cast
- > Finish: 630 satin stainless steel (US32D)



For Rim, Surface/Concealed Vertical Rod and LBR	911.52.400	911.52.401	911.52.402	911.52.403
For Mortise Lock Exit Devices Only	911.52.374	911.52.375	911.52.376	911.52.377
Operation	Key locks and unlocks lever	Lever always active (no cylinder)	Key retracts latch bolt (rigid lever)	Pull when device dogged (rigid lever)
Function	Classroom	Passage	Night Latch	Dummy*
Trim designation	Cylinder escutcheon lever	Blank escutcheon lever	Night Latch escutcheon lever	Dummy escutcheon lever
ANSI function No.	8	14	3	2
Cylinder type	Mortise	Not required	Rim	Not required

Note

Dummy trim is not recommended for fire rated devices*

Dimensional data not binding. We reserve the right to alter specifications without notice.

Dimensions in mm
 Inches are approximate

Radius Top Escutcheon

- > Features:
 - Non-handed trim is easy to install
 - Lever handle allows convenient one hand operation
 - Four through-bolts connected to the device chassis for security and durability
 - Lever is freewheeling (clutch); rotates when locked to prevent excessive force being applied reducing possible damage
 - Trims fit 1 3/4" (44 mm) doors standard. For 2" (51 mm), 2 1/4" (57 mm) or any other non-standard door thicknesses, please specify when ordering.
- > Escutcheon plate dimensions: 9 7/16" x 2 15/16" x 13/16" (240 x 75 x 21 mm)
- > Material: Alloy cast
- > Finish: 630 satin stainless steel (US32D)

3



For Rim, Surface/Concealed Vertical Rod and LBR	911.79.120	911.79.121	911.79.122	911.79.123
For Mortise Lock Exit Devices Only	911.52.392	911.52.393	911.52.394	911.52.395
Operation	Key locks and unlocks lever	Lever always active (no cylinder)	Key retracts latch bolt (rigid lever)	Pull when device dogged (rigid lever)
Function	Classroom	Passage	Night Latch	Dummy*
Trim designation	Cylinder escutcheon lever	Blank escutcheon lever	Night Latch escutcheon lever	Dummy escutcheon lever
ANSI function No.	8	14	3	2
Cylinder type	Mortise	Not required	Rim	Not required

Note
 Dummy trim is not recommended for fire rated devices*

Dimensional data not binding. We reserve the right to alter specifications without notice.

Optional Lever Designs

01
Standard



02



05



17



How to Order

For 88E and 89E Series Trims with mortise lock device please use the following nomenclature. 8820 - 36 - 89E - 01 - A - 626

Device model number = 8820

Device length = 36

Trim model number = 89E

Lever = 01

Function = A

BHMA Finish = 626

Function Codes: A - Classroom
B - Passage
C - Storeroom
D - Dummy

Note

The 88E and 89E Series trims for use with mortise lock exit devices cannot be ordered individually. Trims must be packed together with mortise lock exit device when ordered.

How to Order

For 88L and 89L Series Trims with rim device please use the following nomenclature. 8810 - 36 - 89L - 01 - A - 626

Device model number = 8810

Device length = 36

Trim model number = 89L

Lever = 01

Function = A

BHMA Finish = 626

Function Codes: A - Classroom
B - Passage
C - Storeroom
D - Dummy

Dimensional data not binding. We reserve the right to alter specifications without notice.

Dimensions in mm
Inches are approximate

Radius Top Plate

- > Trims will accept cylinders from other manufacturers
- > Cylinders are not furnished standard
- > Features:
 - Non-handed, easy to install
 - Trim has through-bolts to securely fasten to device chassis
- > Escutcheon plate dimensions: 14 11/16" x 3" x 3/32" (373 x 76 x 2 mm)
- > Material: Alloy cast
- > Finish: 630 satin stainless steel (US32D)

Note

The 87P and 87E Series trims used for mortise lock devices cannot be ordered separate. These trims must be packed together with the mortise lock exit device when ordered.

3



For Rim, Surface Vertical Rod and LBR	911.52.404	911.52.405	911.52.406	911.52.407
For Concealed Vertical Rod	911.52.335	911.52.336	911.52.337	911.52.338
For Mortise Lock Exit Devices Only	911.52.380	911.52.381	911.52.382	911.52.383
Operation	Key locks and unlocks thumbpiece	Thumbpiece always active (no cylinder)	Key retracts latch bolt	Pull when device dogged
Function	Classroom	Passage	Night Latch	Dummy*
Trim designation	Cylinder pull plate with thumbpiece	Blank pull plate with thumbpiece	Cylinder pull plate	Dummy pull plate
ANSI function No.	8	14	3	2
Cylinder type	Mortise	Not required	Rim	Not required

Note

Dummy trim is not recommended for fire rated devices*

Dimensional data not binding. We reserve the right to alter specifications without notice.

Flat Top Plate

- > Trims will accept cylinders from other manufacturers
- > Cylinders are not furnished standard
- > Features:
 - Non-handed, easy to install
 - Trim has through-bolts to securely fasten to device chassis
- > Escutcheon plate dimensions: 14 11/16" x 3" x 3/32" (373 x 76 x 2 mm)
- > Material: Alloy cast
- > Finish: 630 satin stainless steel (US32D)

Note

The 86P and 86E Series trims used for mortise lock devices cannot be ordered separate. These trims must be packed together with the mortise lock exit device when ordered.



For Rim, Surface Vertical Rod and LBR	911.79.485	911.79.486	911.79.487	911.79.488
For Concealed Vertical Rod	911.52.396	911.52.397	911.52.398	911.52.399
For Mortise Lock Exit Devices Only – Classroom function requires 1 1/2" cylinder	911.52.384	911.52.385	911.52.386	911.52.387
Operation	Key locks and unlocks thumbpiece	Thumbpiece always active (no cylinder)	Key retracts latch bolt	Pull when device dogged
Function	Classroom	Passage	Night Latch	Dummy*
Trim designation	Cylinder pull plate with thumbpiece	Blank pull plate with thumbpiece	Cylinder pull plate	Dummy pull plate
ANSI function No.	8	14	3	2
Cylinder type	Mortise	Not required	Rim	Not required

Note

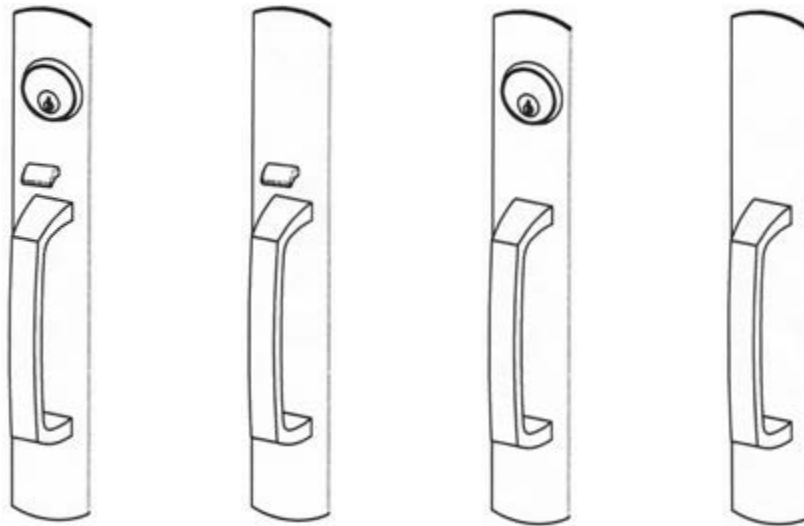
Dummy trim is not recommended for fire rated devices*

Dimensional data not binding. We reserve the right to alter specifications without notice.

Dimensions in mm
 Inches are approximate

Narrow, Radius Top Plate

- > Trims will accept cylinders from other manufacturers
- > Cylinders are not furnished standard
- > Features:
 - Non-handed, easy to install
 - Trim has through-bolts to securely fasten.
 - Trim fits 1 3/4" (44 mm) door standard. For 2" (51 mm) or 2 1/4" (57 mm), specify on the order.
- > Escutcheon plate dimensions: 14 1/2" x 1 25/32" x 3/32" (368 x 45 x 2 mm)
- > Material: Alloy cast
- > Finish: 630 satin stainless steel (US32D)



For Rim, Surface Vertical Rod and LBR	911.52.408	911.52.409	911.52.410	911.52.411
For Concealed Vertical Rod	911.52.342	911.52.343	911.52.344	911.52.345
Operation	Key locks and unlocks thumbpiece	Thumbpiece always active (no cylinder)	Key retracts latch bolt	Pull when device dogged
Function	Classroom	Passage	Night Latch	Dummy*
Trim designation	Cylinder pull plate with thumbpiece	Blank pull plate with thumbpiece	Cylinder pull plate	Dummy pull plate
ANSI function No.	8	14	3	2
Cylinder type	Mortise	Not required	Rim	Not required

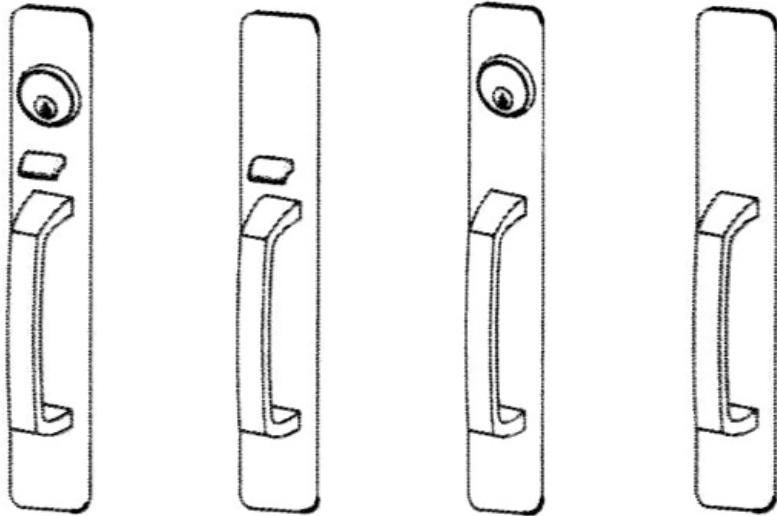
Note

Dummy trim is not recommended for fire rated devices*

Dimensional data not binding. We reserve the right to alter specifications without notice.

Narrow, Flat Top Plate

- > Trims will accept cylinders from other manufacturers
- > Cylinders are not furnished standard
- > Features:
 - Non-handed, easy to install
 - Trim has through-bolts to securely fasten.
 - Trim fits 1 3/4" (44 mm) door standard. For 2" (51 mm) or 2 1/4" (57 mm), specify on the order.
- > Escutcheon plate dimensions: 14 1/2" x 1 25/32" x 3/32" (368 x 45 x 2 mm)
- > Material: Alloy cast
- > Finish: 630 satin stainless steel (US32D)



For Rim, Surface Vertical Rod and LBR	911.52.412	911.52.413	911.52.414	911.52.415
For Concealed Vertical Rod	911.52.346	911.52.347	911.52.348	911.52.349
Operation	Key locks and unlocks thumbpiece	Thumbpiece always active (no cylinder)	Key retracts latch bolt	Pull when device dogged
Function	Classroom	Passage	Night Latch	Dummy*
Trim designation	Cylinder pull plate with thumbpiece	Blank pull plate with thumbpiece	Cylinder pull plate	Dummy pull plate
ANSI function No.	8	14	3	2
Cylinder type	Mortise	Not required	Rim	Not required

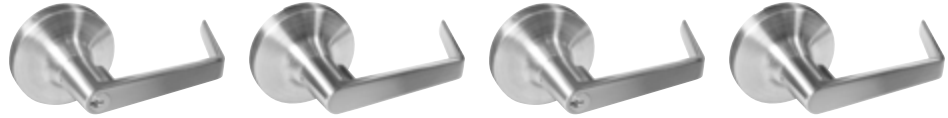
Note
 Dummy trim is not recommended for fire rated devices*

Dimensional data not binding. We reserve the right to alter specifications without notice.

Dimensions in mm
 Inches are approximate

- > Features: Non-handed and easy to install
 Lever handle allows convenient one hand operation
 Two through bolts connect the device chassis for increased durability and security
 Lever is freewheeling (clutch); rotates when locked to prevent excessive force being applied reducing possible damage
 Four operational options, see below
- > Dimensions: Rose Ø3 3/8" (86 mm) x Lever 5 1/4" (133 mm) x Projection 3" (76 mm)
- > Material: Alloy cast
- > Finish: 630 satin stainless steel (US32D)

For 8000 Series Rim and Surface Vertical Rod



Item No.	911.79.943	911.79.941	911.79.944	911.79.945
Operation	Key locks and unlocks lever	Lever always active (no cylinder)	Key retracts latch bolt (rigid lever)	Pull when device dogged (rigid lever)
Function	Classroom	Passage	Storeroom	Dummy*
Trim designation	No cylinder round rose lever	Cylinder round rose lever	No cylinder round rose lever	No cylinder round rose lever
ANSI function No.	8	14	3	2

Note

Dummy trim is not recommended for fire rated devices*

- > Area of application: For use with Fire-rated rim exit devices on fire-rated pairs of doors
- > Specifications: Mullion tube: 2" x 3" (51 x 76 mm), with wall thickness of 1/8" (3 mm) 11 gauge
 Mullion lengths: 7' (2134 mm) or 8' (2438 mm)
 Mullion can be cut in the field as required
 Use a rim cylinder, model 426 or a interchangeable core, model 308 (sold separately)
 Top bracket: Stainless Steel (model 752F). Using key allows mullion to be removed in seconds.
 Mullion can be locked into top bracket easily without using key (supplied)
 Bottom bracket: Stainless Steel (model 755F). Fixed by 4 hex bolts and anchors (supplied)
 Shims: 1/2" (13 mm) and 5/8" (16 mm) (supplied)
- > Fasteners: Each mullion includes the following fasteners: 2 Flat head machine screws, 5/16-18 x 1 1/2", Stainless Steel
 4 Flat head machine screws, 5/16-18 x 5/8", Stainless Steel
 4 Hex head machine screws, 5/16-18 x 1 1/4", Stainless Steel
 4 Expansion anchors, Ø1/2" x 1 1/2" length, Steel
- > Strikes: Use 2 (sets) of mullion strikes (688) and strike hooks (689) (sold separately)
- > Material: Stainless Steel
- > Finish: powder-coated gray

Model 7200

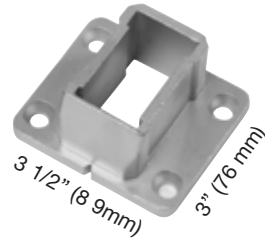
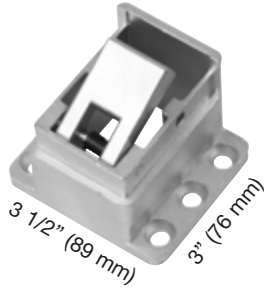


Length	Item No.
2 m (7')	793.00.131
2.4 m (8')	793.00.132

Dimensional data not binding. We reserve the right to alter specifications without notice.

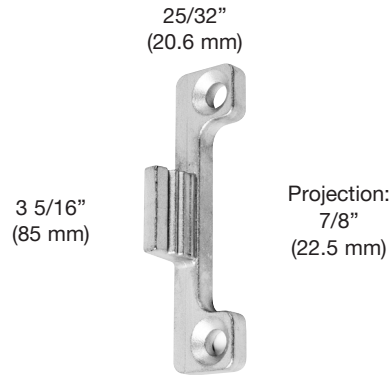
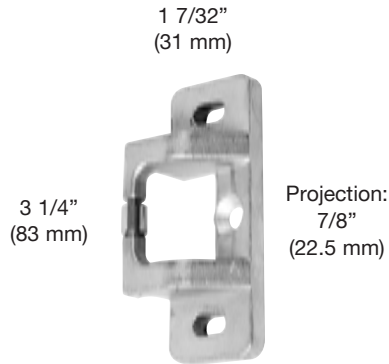
Dimensions in mm
 Inches are approximate

Brackets



3

Mullion Strikes (sold separately)



- > Area of application: For use with a pair of UL listed fire rated Less Bottom Rod (LBR) exit devices.
The Fire Latch Bolt is a spring loaded stainless steel bolt that installs in the lower door edge to replace bottom vertical rods of two Surface Vertical Rod (SVR) exit devices on double doors. The UL listed fire latch bolt is a temperature actuated bolt that is designed to release from one door leaf and engage the other door, connecting the opposite door leaf and keeping the doors in alignment and closed during a fire.
- > Specifications: UL listed, supplied with pairs of Surface Vertical Rod (SVR) devices Less Bottom Rod (LBR)
- > Dimensions: Faceplate: 1 25/32" x 1" (45 x 25.4 mm)
Bolt Ø x Length: 27/32" x 3 5/32" (21.6 x 80 mm)
- > Material: Stainless Steel

Note

Fire latch bolt is supplied with SVR and LBR sets.

FL001



Dimensional data not binding. We reserve the right to alter specifications without notice.

Less Dogging (LD)

> Less dogging is available on all Panic exit devices when users want to remove the standard dogging feature.



Cylinder Dogging (CD)

- > Cylinder dogging is available on all Panic exit devices to replace standard hex key dogging.
- > Cylinder dogging requires a standard 1 1/4" (32 mm) mortise cylinder with a straight cam.
- > This option can be ordered with the device when specified.

Note

Cylinder Dogging Kit (CDK) can be ordered for field conversion. This option cannot be used on fire exit hardware.



> Cylinders are not supplied when ordering a device or a trim. Please order separately.

Note

Standard cylinder is 1 1/4" (32 mm) long. SFIC cylinders are 1 3/8" (35 mm) long. LFIC Cylinders are 1 1/2" (38 mm) long. Please specify cam.

Mortise Cylinder



Standard Type
526

Rim Cylinder



Standard Type
426



Interchangeable Core (SFIC)
208



Interchangeable Core (SFIC)
308



Small Format Interchangeable Core (SFIC)
LH-7 Pin Ic Core



Large Format Interchangeable Core (LFIC)
LH-IC Core Large Format



Key in knob (KIK), key in lever (KIL) Cylinder
K001

Note

Please specify tailbar and keyway

Dimensional data not binding. We reserve the right to alter specifications without notice.

- > Area of application: For use with 8600/8800 (wide stile) rim and vertical rod exit devices
 Bolts directly to baseplate
 Cylinder cutout available 1 1/4" (32 mm)
 Order cylinder with collar separately
- > Size: 6 3/8" x 11" (162 mm x 280 mm)
- > Projection: 1 7/8" (48 mm)
- > Door thickness: 1 3/4" – 2" (45 mm – 51 mm)
- > Clearance: 1 5/8" (41 mm)
- > Material: Stainless Steel, 11 GA. .12" (3 mm) thick
- > Finishes: 630 stainless steel satin (US32D); Additional finishes available by request

LH77, Non-handed



	Item No.
	911.38.072

LH78, LHR



	Item No.
	911.38.073

LH79, RHR



	Item No.
	911.38.074

Dimensions in mm
 Inches are approximate

Dimensional data not binding. We reserve the right to alter specifications without notice.

- > Area of application: For use with 8600/8800 (wide stile) rim and vertical rod exit devices
 Bolts directly to baseplate
 Cylinder cutout available 1 1/4" (32 mm)
 Order cylinder with collar separately
- > Size: 7 1/4" x 11" (184 mm x 280 mm)
- > Projection: 1 7/8" (48 mm)
- > Door thickness: 1 3/4" – 2" (45 mm – 51 mm)
- > Clearance: 1 5/8" (41 mm)
- > Material: Stainless Steel, 11 GA. .12" (3 mm) thick
- > Finishes: 630 stainless steel satin (US32D); Additional finishes available by request

LH80, Non-handed



	Item No.
	911.38.075

LH81 LHR



	Item No.
	911.38.076

LH82 RHR



	Item No.
	911.38.077

Dimensional data not binding. We reserve the right to alter specifications without notice.

- > Area of application: Exit device (also known as panic device or panic hardware) is the terminology used in architectural hardware. It is a type of lock having a push bar (also known as a push pad, push rail or touch bar). When the push bar is depressed it will retract the latch bolt (s), permitting the door to be opened in the direction of travel. An Exit device is a critical part of the Fire, Life Safety and Security in all types of buildings. Exit devices have two classifications: Panic hardware and Fire exit hardware. Both are designed to provide immediate egress. All Exit devices are tested and listed by an authorized, nationally recognized independent test laboratory.
- > 5000 Series Exit Devices are suitable for use in the following types of buildings:
 - Offices
 - Apartments
 - Retail Stores
 - Multi-Family Buildings
 - Healthcare
 - Stadiums
 - Factories
 - Gymnasiums
 - Parking Garages
 - Hospitality
 - Educational
 - Restaurants

5000 Series Exit devices are ideally suited for use on emergency exits in all of these buildings. These durable devices are designed to meet the demand for modern styling by eliminating lever arms and cross bars. These devices are Underwriters Laboratories (UL and cUL) listed for accident hazard (Panic) installations, comply with UL305 requirements and are listed for Fire exit hardware, UL10C.

Features

- > All devices are non-handed
- > The center case is multi-functional
- > Pressure along any part of the touch pad will retract latch bolt
- > Auxiliary guarded latch deadlocks automatically when door closes
- > High shock resistant latching mechanism designed for protection from vandalism or forced entry
- > All inside components are made of rust resistant alloy or zinc dichromate plated steel
- > Outside trims are available with rose or escutcheon to meet the exact needs of the application
- > All trims feature through-bolt design for more security and durability
- > Panic hardware users have the option of hex key (standard) or cylinder dogging (special order); allowing for convenient push pull operation during peak traffic times

5510S Wide Stile Design Panic Rim Exit Device - For Wide Stile and Flush Doors
5510F Wide Stile Design Panic Rim Exit Device - For Wide Stile Fire Labeled Doors

- > Area of application: For use on single doors or double doors with mullion.
Fire rated on 4' x 8' (1219 x 2438 mm) single doors or 8' x 8' (2438 x 2438 mm) double fire rated doors.
Fasteners provided for standard 1 3/4" (44 mm) thick hollow metal or wood doors.
Please specify if door is greater than 1 3/4" (44 mm).
- > Minimum stile width: 3 1/2" (90 mm)
- > Length: 36" (914 mm)
- > Strike: Furnished with 532 Strike. Shim is 1/8" (3 mm) thick for use on doors with a 1/2" (13 mm) stop.
Shim allows the device to fully engage the strike. If the stop is 5/8" (16 mm) shim is not required.
- > Handing: Non-handed
- > Fasteners: Machine screws furnished standard. Sex nuts and bolts (SNB) are required for use on wood doors, (order separately)
- > Dogging: Hex key dogging standard on panic rated rim device. Fire rated rim device does not include dogging.
- > Dogging options: Cylinder dogging (not for use on fire rated devices); Less dogging for rim panic device is available
- > Certifications: UL Listed for Panic hardware or for Fire exit hardware
- > Material: Device head cover: Stainless Steel or Nonferrous Alloy
Chassis: Plated Steel
Mechanism housing: Steel or Stainless Steel
Push bar: Steel or Stainless Steel
End cap: Steel or Stainless Steel
Latch bolt: 100% Stainless Steel, deadlocking type 11/16" (17 mm) throw aluminum
- > Finish:



Version	Item No.
5510S - panic-rated	911.79.336
5510F - fire-rated	911.79.337

Panic Rim Strike

- > Area of application: Surface applied. This is the standard strike on 5000 series panic rim exit devices.
- > Material: Stainless Steel; Roller: plated

Fire Rim Strike

- > Area of application: Surface applied. This is the standard strike on the 5000 series fire-rated rim devices.
- > Material: Stainless Steel



Dimensional data not binding. We reserve the right to alter specifications without notice.

Dimensions in mm
Inches are approximate

5530S Wide Stile Design Panic SVR Exit Device - For Wide Stile and Flush Doors
5530F Wide Stile Design Panic SVR Exit Device - For Wide Stile Fire Labeled Doors*

- > Area of application: For use on single doors or double doors with mullion. Fire rated on 4' x 8' (1219 x 2438 mm) single doors or 8' x 8' (2438 x 2438 mm) double fire rated doors. Fasteners provided for standard 1 3/4" (44 mm) thick hollow metal or wood doors. Please specify if door is greater than 1 3/4" (44 mm).
- > Minimum stile width: 3 1/2" (90 mm)
- > Length: 36" (914 mm)
- > Strike: Top: 534; Bottom: 537
- > Handing: Non-handed
- > Fasteners: Machine screws furnished standard. Sex nuts and bolts (SNB) are required for use on wood doors, (order separately)
- > Dogging: Hex key dogging standard on panic rated rim device. Fire rated rim device does not include dogging.
- > Dogging options: Cylinder dogging (not for use on fire rated devices). Less dogging for rim panic device is available.
- > Certifications: UL Listed for Panic hardware or for Fire exit hardware
- > Material: Device head cover: Stainless Steel or Nonferrous Alloy
 Chassis: Plated Steel
 Mechanism housing: Steel or Stainless Steel
 Push bar: Steel or Stainless Steel
 End cap: Steel or Stainless Steel
 Latch bolt: 100% Stainless Steel, deadlocking type 1/2" (13 mm) throw
 Latch case cover: Steel or Stainless Steel
 Vertical rods: Tubular Aluminum with rod guides
- > Finish: aluminum

3



Version	Item No.
5530S - panic-rated	911.79.338
5530F - fire-rated	911.79.339

Note

LBR available.
 Please specify if 48" (1219 mm) length is required instead of 36" (914 mm).

534 Top Strike

- > Area of application: Applied to surface of stop.
- > Material: Hardened Steel
- > Finish: plated



537 Bottom Strike

- > Material: Non-ferrous Alloy
- > Finish: plated



Dimensions in mm
 Inches are approximate

5500 Series

- > The device lengths are suitable for 36" (915 mm) or 48" (1219 mm) doors without cutting
- > Short 36" (915 mm) - device is 32" (813 mm) long with a 20" (508 mm) push bar; can be cut down to 26" (660 mm)
- > Long 48" (1219 mm) - device is 44" (1118 mm) long with a 24" (607 mm) push bar; can be cut down to 31" (787 mm)
- > Standard vertical rods accommodate 7' (2134 mm) or 8' (2438 mm) exit doors. Specify door height if greater than standard size when ordering.

Note

Length does include latch bolt.

For Narrow Stile Exit Door Use

- > Area of application: For use on single doors or double doors with mullion. Standard for 1 3/4" (44 mm) thick doors. Please specify if door is greater than 1 3/4" (44 mm).
- > Minimum stile width: 2 1/2" (65 mm)
- > Length: 36" (914 mm)
- > Strike: Furnished with 532 strike.
- > Handing: Non-handed
- > Fasteners: Machine screws furnished standard. Sex nuts and bolts (SNB) are required for use on wood doors, (order separately).
- > Dogging: Hex key dogging standard on panic rated rim device.
- > Dogging options: Cylinder dogging (not for use on fire rated devices); Less dogging for rim panic device is available.
- > Certifications: UL Listed for panic hardware
- > Material: Device head cover: Stainless Steel or Nonferrous Alloy
 Chassis: Plated Steel
 Mechanism housing: Steel or Stainless Steel
 Push bar: Steel or Stainless Steel
 End cap: Steel or Stainless Steel
 Latch bolt: 100% Stainless Steel, deadlocking type 11/16" (17 mm) throw
 Deadlocking latch: 100% Stainless Steel, 5/8" (16 mm) throw
- > Finish: aluminum

3



Version	Item No.
5610S - panic-rated	911.52.140

Strike Shim

- > Area of application: Shim is 1/8" (3 mm) thick for use on doors that have a 1/2" (13 mm) stop. Shim allows the device to fully engage the strike. If the stop is 5/8" (16 mm) then shim is not required.



Panic Rim Strike

- > Area of application: Surface applied; this is the standard strike on 5000 series panic rim exit devices.
- > Material: Stainless Steel; Roller: plated



Dimensional data not binding. We reserve the right to alter specifications without notice.

For Narrow Stile Exit Door Use

- > Area of application: For use on single doors or double doors where two point latching is required. Standard for 1 3/4" (44 mm) thick doors. Please specify if door is greater than 1 3/4" (44 mm).
- > Minimum stile width: 2 1/2" (65 mm)
- > Length: 36" (914 mm)
- > Strike: Furnished with 532 strike. Shim is 1/8" (3 mm) thick for use on doors with a 1/2" (13 mm) stop. Shim allows the device to fully engage the strike. If the stop is 5/8" (16 mm) shim is not required.
- > Handing: Non-handed
- > Fasteners: Machine screws furnished standard. Sex nuts and bolts (SNB) are required for use on wood doors, (order separately).
- > Dogging: Hex key dogging standard on panic rated rim device.
- > Dogging options: Cylinder dogging (not for use on fire rated devices); Less dogging for rim panic device is available.
- > Certifications: UL Listed for panic hardware
- > Material: Device head cover: Stainless Steel or Nonferrous Alloy
 Chassis: Plated Steel
 Mechanism housing: Steel or Stainless Steel
 Push bar: Steel or Stainless Steel
 End cap: Steel or Stainless Steel
 Latch bolt: 100% Stainless Steel, 1/2" (13 mm)
 Latch case covers: Steel or Stainless Steel
 Vertical rods: Tubular Aluminum with rod guides
- > Finish: aluminum



Version	Item No.
5630S - panic-rated	911.52.141

Dimensional data not binding. We reserve the right to alter specifications without notice.

Top Strike

- > Area of application: Applied to surface of stop.
- > Material: Hardened Steel
- > Finish: plated



Bottom Strike

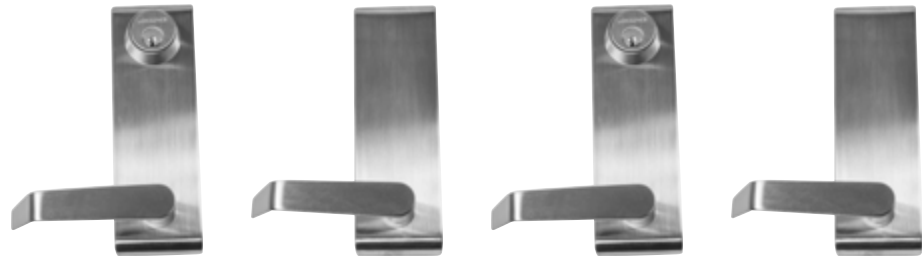
- > Area of application: Applied in floor.
- > Material: Nonferrous Alloy
- > Finish: plated



- > Area of application: For 5510 series Rim and 5530 series SVR
- > Features:
 - Non-handed trim is easy to install
 - Lever handle allows convenient one hand operation
 - Two through-bolts connect the device to the chassis for security and durability
 - These trims are anti-vandalism type that prevents the lock from damage when the lever is locked.
- > Cylinders:
 - Not furnished standard.
 - When ordering please specify: RC - Regular cylinder
 IC - Interchangeable core
 NC - No cylinder
- > Escutcheon plate dimensions: 8 1/16" x 2 5/8" x 29/32" (205 x 67 x 23 mm)
- > Material: Escutcheon plate: Stainless Steel; Handle: Zinc Alloy
- > Finish: 630 satin stainless steel (US32D)

Model 58L Series Top Escutcheon

3



Item No.	911.79.350	911.79.351	911.79.352	911.79.353
Operation	Key locks and unlocks lever	Lever always active (no cylinder)	Key retracts latch bolt (rigid lever)	Pull when device dogged (rigid lever)
Function	Classroom	Passage	Storeroom	Dummy*
Trim designation	Cylinder escutcheon lever	Blank escutcheon lever	Night Latch escutcheon lever	Dummy escutcheon lever
ANSI function No.	8	14	3	2
Cylinder type	Mortise	Not required	Rim	Not required

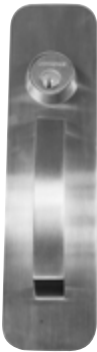
Note

Dummy trim is not recommended for fire rated devices*

Dimensional data not binding. We reserve the right to alter specifications without notice.

- > Area of application: Wide Stile: For 5510 series Rim and 5530 series SVR
 Narrow Stile: For 5610 series Rim and 5630 series SVR
- > Fasteners: Supplied with mounting bolts
- > Material: Steel or Stainless Steel
- > Finish: 630 satin stainless steel (US32D)

Note
 Dummy trim is not recommended for fire rated devices*



For Wide Stile

- > Area of application: Retrofits 1 3/4" steel doors prepared for bore locks.
- > Plate dimensions: 11 13/16" x 3" x 3/32" (300 x 76 x 2 mm)

Item No.	911.79.354	911.79.506	911.79.355
Operation	Key retracts latch bolt	Pull when dogged	Does not operate
Function	Night latch	Dummy*	Decorative
Trim designation	Cylinder pull plate with cylinder	Dummy pull plate without cylinder	Flat plate without cylinder and grip
ANSI function No.	3	1	10
Cylinder type	Rim	Not required	Not required



For Narrow Stile

- > Plate dimensions: 11 13/16" x 1 25/32" x 3/32" (300 x 45 x 2 mm)

Item No.	911.79.507	911.79.508	911.79.509
Operation	Key retracts latch bolt	Pull when dogged	Does not operate
Function	Night latch	Dummy*	Decorative
Trim designation	Cylinder pull plate with cylinder	Dummy pull plate without cylinder	Flat plate without cylinder and grip
ANSI function No.	3	1	10
Cylinder type	Rim	Not required	Not required

Dimensional data not binding. We reserve the right to alter specifications without notice.

- > Area of application: For Rim and SVR only
- > Features: Non-handed, easy to install
Trim has through-bolts to securely fasten to device chassis
- > Plate dimensions: 11 13/16" x 1 25/32" x 3/32" (300 x 45 x 2 mm)
- > Material: Escutcheon plate: Stainless Steel; Handle: Zinc Alloy
- > Finish: 630 satin stainless steel (US32D)

Model 57P Series Flat Top Plate



Item No.	911.79.480	911.79.481	911.79.482	911.79.483
Operation	Key locks and unlocks thumbpiece	Thumbpiece always active (no cylinder)	Key retracts latch bolt	Pull when device dogged
Function	Classroom	Passage	Storeroom	Dummy*
Trim designation	Cylinder pull plate with thumbpiece	Blank pull plate with thumbpiece	Cylinder pull plate	Dummy pull plate
ANSI function No.	8	14	3	2
Cylinder type	Mortise	Not required	Rim	Not required

Note

Dummy trim is not recommended for fire rated devices*

- > Area of application: 5510 series Rim and 5530 series SVR only; retrofits 1 3/4" steel doors prepared for bore locks.
 Trims will accept cylinders from other manufacturers.
- > Plate dimensions: 7 11/16" x 3" x 1/8" (196 x 76 x 3 mm)
- > Fasteners: Supplied with sex nuts and bolts
- > Cylinders are not furnished standard. When ordering please specify: RC - Regular cylinder
 IC - Interchangeable core
 NC - No cylinder
- > Material: Steel or Stainless Steel
- > Finish: 630 satin stainless steel (US32D)

Model 52R Series Raised Lip Style



3

Item No.	793.00.134	793.00.135	793.00.133
Operation	Key retracts latch bolt	Pull when dogged	Does not operate
Function	Night latch	Dummy*	Decorative
Trim designation	Cylinder pull plate	Blank plate	Flat plate (no lip)
ANSI function No.	3	1	10
Cylinder type	Rim	Not required	Not required

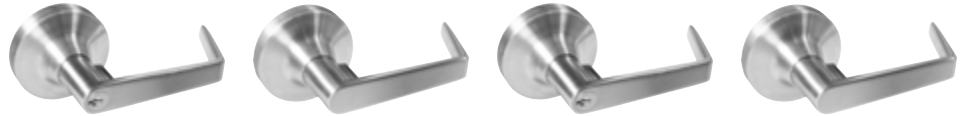
Note
 Dummy trim is not recommended for fire rated devices*

Dimensional data not binding. We reserve the right to alter specifications without notice.

Dimensions in mm
 Inches are approximate

- > Area of application: For economy Rim and SVR.
- > Features: Non-handed and easy to install.
 Lever handle allows convenient one hand operation.
 Two through-bolts that connect to the device chassis for increased durability and security.
 Lever is freewheeling (clutch); rotates when locked to prevent excessive force being applied reducing the chance of the lever being damaged.
- > Dimensions: Rose Ø3 1/8" (86 mm) x Lever 4 3/4" (133 mm) x Projection 3" (76 mm)
- > Material: Steel or Stainless Steel
- > Finish: 630 satin stainless steel (US32D)

Model 53L Series



Item No.	911.79.500	911.79.501	911.79.502	911.79.504
Operation	Key locks and unlocks lever	Lever always active (no cylinder)	Key retracts latch bolt (rigid lever)	Pull when device dogged (rigid lever)
Function	Classroom	Passage	Storeroom	Dummy*
Trim designation	Cylinder round rose lever	No cylinder round rose lever	Cylinder round rose lever	No cylinder round rose lever
ANSI function No.	8	14	3	2

Note

Dummy trim is not recommended for fire rated devices*

Rim Strikes



1/8 Shim Plate
 For 532



3 1/4"
 (83 mm)

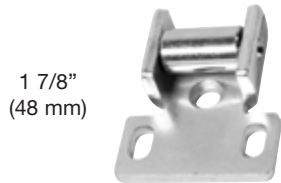
Projection:
 1/2"
 (12 mm)



3 1/4"
 (83 mm)

Projection:
 5/8"
 (16 mm)

Vertical Rod Strike



1 7/8"
 (48 mm)

Projection:
 5/8"
 (16 mm)

1 5/8"
 (41 mm)

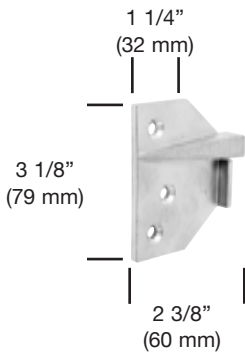


1 3/16"
 (30 mm)

Projection:
 1/8"
 (3 mm)

1 5/8"
 (41 mm)

Double Door Strike (sold separately)



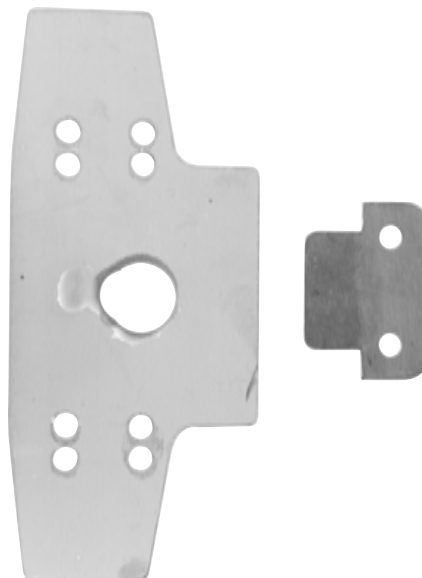
1 1/4"
 (32 mm)

3 1/8"
 (79 mm)

2 3/8"
 (60 mm)

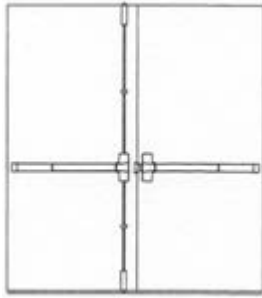
5000 Series Shim Kits (made to order)

- > 1/8" (3 mm) thick shim plates for use on door with glass bead
- > Foot print matches 5000 series
- > Devices as specified (5500 or 5600)

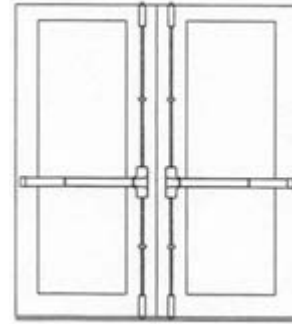


Dimensional data not binding. We reserve the right to alter specifications without notice.

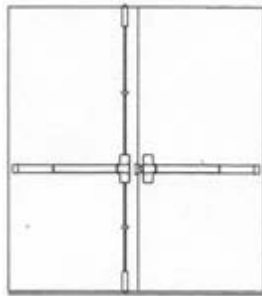
Dimensions in mm
 Inches are approximate



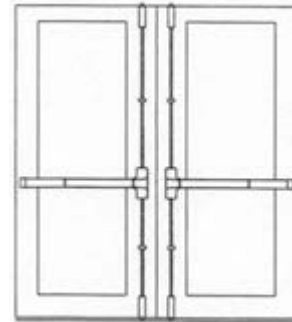
One Rim Device is the popular choice for one outwardly swinging door use. in this application any device may be used.



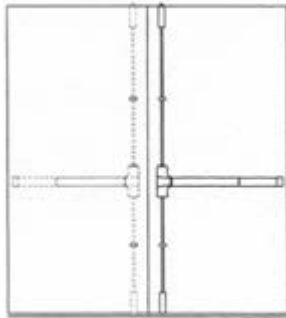
Two Rim Devices with mullion - same direction.



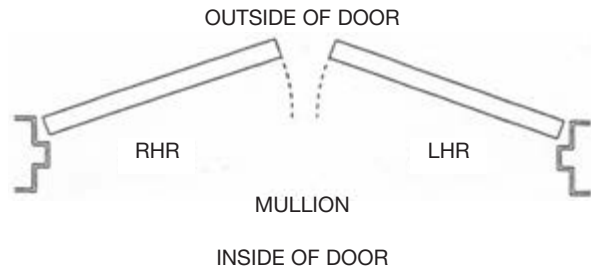
One Rim Device and one Surface Vertical Rod Device combination - same direction.



Two Surface Vertical Rod Devices - same direction (do not use with overlapping astragal).



Two Vertical Rod Devices - double egress.



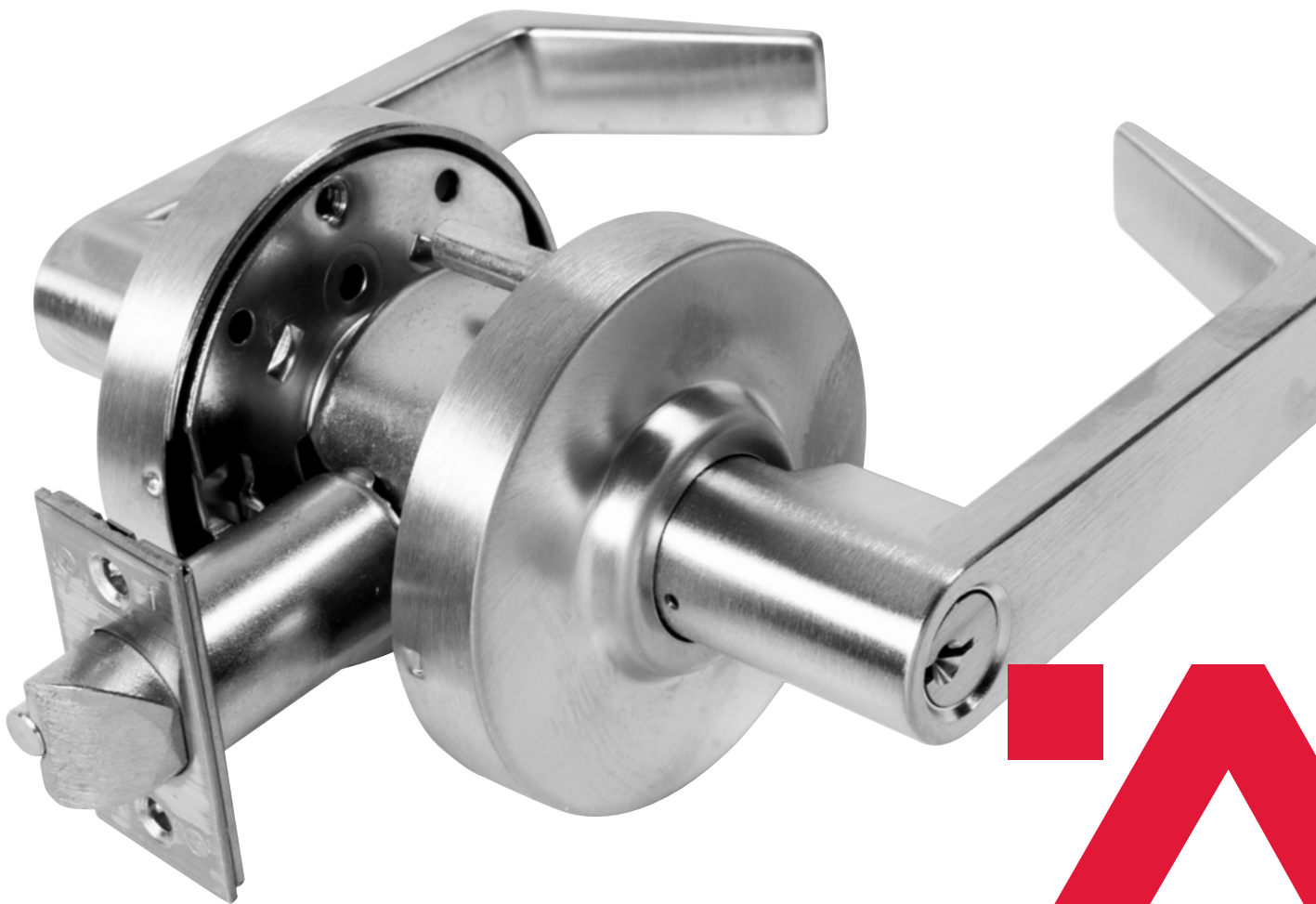
DOOR HANDING
 Use this diagram to determine the hand of door.

Dimensional data not binding. We reserve the right to alter specifications without notice.

4

HÄFELE

LOCKSETS





Locksets

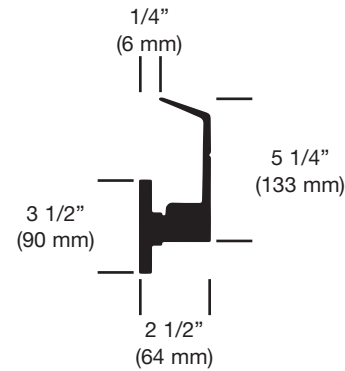
5000 Series (Grade 1 Cylindrical)	4.3 - 4.5
5300 Series (Grade 2 Cylindrical)	4.6 - 4.10
8700 Series (Grade 1 Mortise)	4.11 - 4.21
4700 Series (Small Case Mortise Lock)	4.22
3000 Series (Tubular)	4.23 - 4.28
500 Series (Deadbolts)	4.29
Cylinders and Keying	4.30 - 4.32



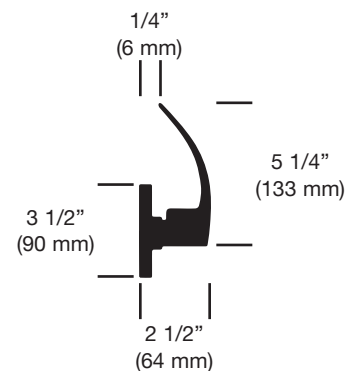
- > Area of application: Designed for extra heavy duty commercial, industrial and institutional applications.
- > Mounting: Through-bolt mounting 2 3/4" (70 mm) center to center reduces chassis rotation
- > Features: Quality cast and machined stainless steel hubs mounted with heavy duty return springs tested to over one million cycles without noticeable lever sag; Heavy rose liner material provides attack resistance. Heat treated heavy gauge cold rolled steel spindles withstand 1000 inch pounds of torque. The threaded outside rose assembly is adjustable for door thickness; Free-wheeling clutch style lever standard.
- > For doors: 1 3/8" to 1 7/8" (35 mm to 48 mm)
- > Backset: 2 3/4" (70 mm) standard 2 3/8" (60 mm) available
- > Front: Stainless Steel or Brass, 2 1/4" x 1 1/8" (57 mm x 29 mm)
- > Strike: ANSI (4 7/8" x 1 1/4") strike standard
- > Roses: Ø3 1/2" (90 mm) Stainless Steel or Brass base metal
- > Handing: Non-handed
- > Latchbolt: Stainless Steel 17/32" (13.5 mm) throw standard; 3/4" (19 mm) throw available
- > Cylinder: Solid Brass 6-pin cylinder Schlage C keyway with two keys per lock
- > IC Core: Solid Brass 6 or 7-pin core sold separately
- > Keying: Keyed different (KD) standard, available master keyed (MK), keyed alike (KA) and construction master keyed (CMK), see keys and keying section for additional options
- > Certifications: ANSI/BHMA certified A156.2 Series 4000 Grade 1; ADA Compliant A117.10
 cUL/UL Listed for all functions up to 3 hours
- > Finish: 626 satin chrome-plated (US26D)

Lever Designs

L Lever



R Lever



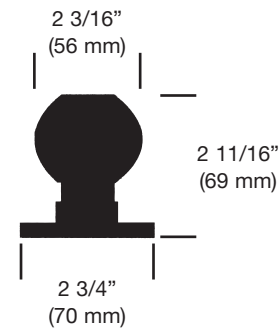
Dimensional data not binding. We reserve the right to alter specifications without notice.

Dimensions in mm
 Inches are approximate

<ul style="list-style-type: none"> > Area of application: > Mounting: > Features: > For doors: > Backset: > Front: > Strike: > Roses: > Handing: > Latchbolt: > Cylinder: > IC Core: > Keying: > Certifications: > Finish: 	<p>Designed for extra heavy duty commercial, industrial and institutional applications.</p> <p>No exposed mounting screws</p> <p>Knobs include steel reinforcement.</p> <p>Heat-treated heavy gauge cold rolled steel spindles add strength and security.</p> <p>The threaded outside rose assembly is adjustable for door thickness.</p> <p>Internal steel mechanism is heat-treated.</p> <p>1 3/8" to 2" (35 mm to 52 mm)</p> <p>2 3/4" (70 mm) standard 2 3/8" (60 mm) available</p> <p>Stainless Steel or Brass, 2 1/4" x 1 1/8" (57 mm x 29 mm)</p> <p>ANSI 4 7/8" x 1 1/4" (123 mm x 32 mm) strike standard</p> <p>Ø2 3/4" (70 mm) Stainless Steel or Brass base metal</p> <p>Non-handed</p> <p>Stainless Steel 17/32" (13.5 mm) throw standard; 3/4" (19 mm) throw available</p> <p>Solid Brass 6-pin cylinder Schlage C keyway with two keys per lock</p> <p>Solid Brass 6 or 7-pin core sold separately</p> <p>Keyed different (KD) standard, available master keyed (MK), keyed alike (KA) and construction master keyed (CMK), see keys and keying section for additional options.</p> <p>ANSI/BHMA certified A156.2 Series 4000 Grade 1; cUL/UL Listed for all functions up to 3 hours</p> <p>630 stainless steel satin (US32D)</p>
--	---

**Knob Design
O/B**




4










Dimensions in mm
Inches are approximate

Standard Lock Functions

Non-Keyed

	Function	ANSI No.	Description	L Lever	R Lever	Knob
	Passage	F75	Latchbolt retracted by knob/lever on either side.	911.79.931	911.79.511	911.79.521
	Privacy	F76	Push button locks outside knob/lever. Turning inside knob/lever or emergency turn unlocks outside knob/lever. Inside knob/lever always active.	911.79.932	911.79.512	911.79.522
	Single dummy	–	Single dummy trim for one side of door. Used for door pull or as matching inactive trim.	911.79.935	911.79.515	911.79.525

Keyed

	Function	ANSI No.	Description	L Lever	R Lever	Knob
	Office	F82	Push button locks outside knob/lever until unlocked by key or by turning inside knob/lever.	911.79.937	911.79.518	911.79.528
	Entrance	F109	Turn/push button locking: Pushing/turning button locks outside knob/lever requiring key until button is manually unlocked. Push button locking: pushing button locks outside knob/lever until unlocked by key or by turning inside knob/lever.	911.79.930	911.79.510	911.79.520
	Classroom	F84	Outside knob/lever locked and unlocked by key. Inside knob/lever always unlocked.	911.79.933	911.79.513	911.79.523
	Storeroom	F86	Outside knob/lever is fixed. Entrance by key only. Inside knob/lever always unlocked.	911.79.934	911.79.514	911.79.524
	Communicating (Double classroom)	F80	Latchbolt retracted by knob/lever on either side unless locked.	911.79.936	911.79.516	911.79.526
	Institutional (Double storeroom)	F87	Both knobs/levers always locked. Latchbolt retracted by key from either side.	911.79.939	911.79.517	911.79.527
	Classroom security	–	Key in either knob/lever locks or unlocks outside knob/lever, inside knob/lever is always unlocked.	911.79.973	911.79.519	–

Dimensional data not binding. We reserve the right to alter specifications without notice.

Dimensions in mm
Inches are approximate

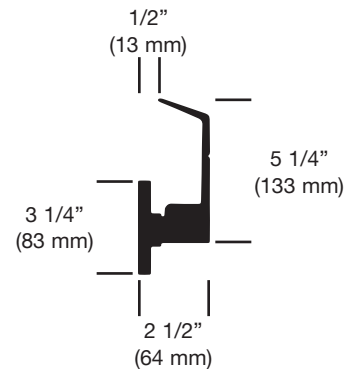


- > Area of application: Designed for medium to high traffic commercial applications.
- > Mounting: Through-bolt mounting posts 2 5/8" (67 mm) center to center provided, to prevent chassis rotation; no exposed mounting screws.
- > Features: Quality heavy duty return springs to reduce lever sag; Heavy rose liner material provides attack resistance. Heat treated heavy gauge steel spindles; The rose assembly is adjustable for door thickness. Specify clutching or non-clutching when ordering
- > For doors: 1 3/8" to 1 3/4" (35 mm to 44 mm)
- > Backset: 2 3/4" (70 mm) standard 2 3/8" (60 mm) available
- > Front: Stainless Steel or Brass, 2 1/4" x 1 1/8" (57 mm x 29 mm)
- > Strike: ANSI (4 7/8" x 1 1/4") strike standard, wood door strike (T-Strike) available
- > Roses: Ø3 1/4" (90 mm) Stainless Steel or Brass
- > Handing: Non-handed
- > Latchbolt: Stainless Steel 1/2" (12.5 mm) throw standard
- > Cylinder: Solid Brass 6-pin cylinder Schlage C keyway with two keys per lock standard. Weiser keyway available by order keying keyed different (KD) standard. Available master keyed (MK), keyed alike (KA) and construction master keyed (CMK), see Keys and Keying section for additional options.
- > Certifications: ANSI/BHMA certified A156.2 Series 4000 Grade 2
 ADA Compliant A117.10; cUL/UL Listed for all functions up to 3 hours
- > Finishes: 626 satin chrome-plated (US26D), 613 oil-rubbed bronze US10B), 605 brass polished (US3)

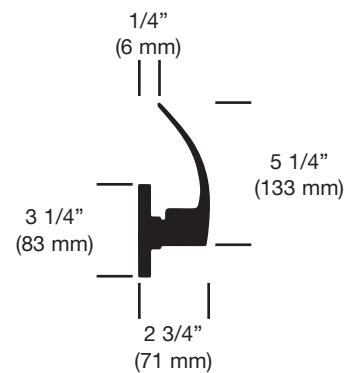
Lever Designs

4

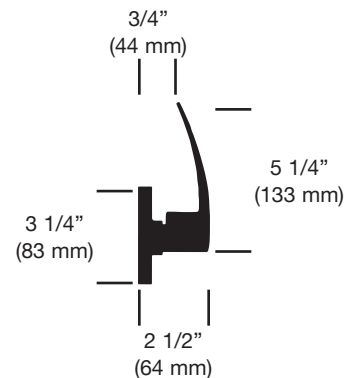
L Lever



R Lever



G Lever

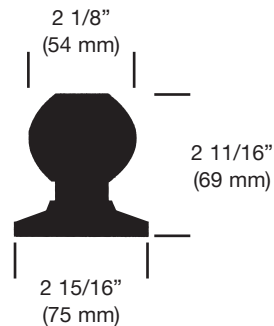


Dimensions in mm
 Inches are approximate

Dimensional data not binding. We reserve the right to alter specifications without notice.

> Area of application:	Designed for medium to high traffic commercial applications.
> Mounting:	No exposed mounting screws
> Features:	Heavy gauge cold rolled steel spindles. The rose assembly is adjustable for door thickness.
> For doors:	1 3/8" to 1 3/4" (35 mm to 44 mm)
> Backset:	2 3/4" (70 mm) standard 2 3/8" (60 mm) available
> Front:	Stainless Steel or Brass, 2 1/4" x 1 1/8" (57 mm x 29 mm)
> Strike:	ANSI (4 7/8" x 1 1/4") strike standard, wood door strike (T-Strike) available
> Roses:	Ø2 3/4" (70 mm) Stainless Steel or Brass
> Handing:	Non-handed
> Latchbolt:	Stainless Steel 1/2" (12.5 mm) throw standard
> Cylinder:	Solid Brass 6-pin cylinder Schlage C keyway with two keys per lock standard. Weiser keyway available by order keying keyed different (KD) standard. Available master keyed (MK), keyed alike (KA) and construction master keyed (CMK), see Keys and Keying section for additional options.
> Certifications:	ANSI/BHMA certified A156.2 Series 4000 Grade 2 cUL/UL Listed for all functions up to 3 hours
> Finish:	630 stainless steel satin (US32D), 613 oil-rubbed bronze US10B), 605 brass polished (US3)

**Knob Design
O/B**



Dimensional data not binding. We reserve the right to alter specifications without notice.

Standard Lock Functions

Finish: Levers: 626 satin chrome-plated (US26D); Knobs: 630 stainless steel satin (US32)

Non-Keyed

	Function	ANSI No.	Description	L Lever	R Lever	G Lever	Knob
	Passage	F75	Latchbolt retracted by knob/lever on either side.	911.79.921	911.85.001	911.85.011	911.85.081
	Privacy	F76	Push button locks outside knob/lever. Turning inside knob/lever or emergency turn unlocks outside knob/lever. Inside knob/lever always active.	911.79.922	911.85.002	911.85.012	911.85.082
	Single dummy	–	Single dummy trim for one side of door. Used for door pull or as matching inactive trim.	911.79.925	911.85.005	911.85.015	911.85.085
	Communicating latch	–	For twin communicating or exit doors (Exit) where one side operation is required. Blank rose outside. Inside knob/lever operation.	911.79.926	911.85.006	911.85.016	911.85.086

Keyed





	Function	ANSI No.	Description	L Lever	R Lever	G Lever	Knob
	Entrance	F109	Turn/push button locking: Pushing/turning button locks outside knob/lever requiring key until button is manually unlocked. Push button locking: pushing button locks outside knob/lever until unlocked by key or by turning inside knob/lever.	911.79.920	911.85.000	911.85.010	911.85.080
	Classroom	F84	Outside knob/lever locked and unlocked by key. Inside knob/lever always unlocked.	911.79.923	911.85.003	911.85.013	911.85.083
	Storeroom	F86	Outside knob/lever is fixed. Entrance by key only. Inside knob/lever always unlocked.	911.79.924	911.85.004	911.85.014	911.85.084
	Communicating (Double classroom)	F80	Latchbolt retracted by knob/lever on either side unless locked. Key locks or unlocks its own knob/lever.	911.79.928	911.85.007	911.85.017	911.85.087
	Institutional (Double storeroom)	F87	Both knobs/levers always locked. Latchbolt retracted by key from either side.	911.79.929	911.85.008	911.85.018	911.85.088

Dimensional data not binding. We reserve the right to alter specifications without notice.

Standard Lock Functions






Finish: 613 oil-rubbed bronze(US10B)

Non-Keyed

	Function	ANSI No.	Description	L Lever	R Lever	G Lever	Knob
	Passage	F75	Latchbolt retracted by knob/lever on either side.	911.85.071	911.85.041	911.85.051	911.85.101
	Privacy	F76	Push button locks outside knob/lever. Turning inside knob/lever or emergency turn unlocks outside knob/lever. Inside knob/lever always active.	911.85.072	911.85.042	911.85.052	911.85.102
	Single dummy	–	Single dummy trim for one side of door. Used for door pull or as matching inactive trim.	911.85.075	911.85.045	911.85.055	911.85.105
	Communicating latch	–	For twin communicating or exit doors (Exit) where one side operation is required. Blank rose outside. Inside knob/lever operation.	911.85.076	911.85.046	911.85.056	911.85.106



Keyed

	Function	ANSI No.	Description	L Lever	R Lever	G Lever	Knob
	Entrance	F109	Turn/push button locking: Pushing/turning button locks outside knob/lever requiring key until button is manually unlocked. Push button locking: pushing button locks outside knob/lever until unlocked by key or by turning inside knob/lever.	911.85.070	911.85.040	911.85.050	911.85.100
	Classroom	F84	Outside knob/lever locked and unlocked by key. Inside knob/lever always unlocked.	911.85.073	911.85.043	911.85.053	911.85.103
	Storeroom	F86	Outside knob/lever is fixed. Entrance by key only. Inside knob/lever always unlocked.	911.85.074	911.85.044	911.85.054	911.85.104
	Communicating (Double classroom)	F80	Latchbolt retracted by knob/lever on either side unless locked. Key locks or unlocks its own knob/lever.	911.85.077	911.85.047	911.85.057	911.85.107
	Institutional (Double storeroom)	F87	Both knobs/levers always locked. Latchbolt retracted by key from either side.	911.85.078	911.85.048	911.85.058	911.85.108

Dimensional data not binding. We reserve the right to alter specifications without notice.

Dimensions in mm
 Inches are approximate

Standard Lock Functions

Finish: 605 brass polished (US3)

Non-Keyed

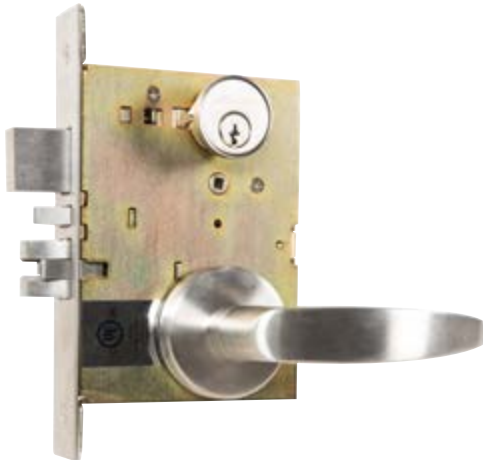
	Function	ANSI No.	Description	L Lever	R Lever	G Lever	Knob
	Passage	F75	Latchbolt retracted by knob/lever on either side.	911.85.061	911.85.021	911.85.031	911.85.091
	Privacy	F76	Push button locks outside knob/lever. Turning inside knob/lever or emergency turn unlocks outside knob/lever. Inside knob/lever always active.	911.85.062	911.85.022	911.85.032	911.85.092
	Single dummy	-	Single dummy trim for one side of door. Used for door pull or as matching inactive trim.	911.85.065	911.85.025	911.85.035	911.85.095
	Communicating latch	-	For twin communicating or exit doors (Exit) where one side operation is required. Blank rose outside. Inside knob/lever operation.	911.85.066	911.85.026	911.85.036	911.85.096

Keyed

	Function	ANSI No.	Description	L Lever	R Lever	G Lever	Knob
	Entrance	F109	Turn/push button locking: Pushing/turning button locks outside knob/lever requiring key until button is manually unlocked. Push button locking: pushing button locks outside knob/lever until unlocked by key or by turning inside knob/lever.	911.85.060	911.85.020	911.85.030	911.85.090
	Classroom	F84	Outside knob/lever locked and unlocked by key. Inside knob/lever always unlocked.	911.85.063	911.85.023	911.85.033	911.85.093
	Storeroom	F86	Outside knob/lever is fixed. Entrance by key only. Inside knob/lever always unlocked.	911.85.064	911.85.024	911.85.034	911.85.094
	Communicating (Double classroom)	F80	Latchbolt retracted by knob/lever on either side unless locked. Key locks or unlocks its own knob/lever.	911.85.067	911.85.027	911.85.037	911.85.097
	Institutional (Double storeroom)	F87	Both knobs/levers always locked. Latchbolt retracted by key from either side.	911.85.068	911.85.028	911.85.038	911.85.098

Dimensional data not binding. We reserve the right to alter specifications without notice.

> Area of application:	Ideal for high frequency doors in public buildings, commercial, hospitality, healthcare and educational applications; consistent dependable operation stands up to rigorous use and abuse.
> Version:	Field reversible
> Mounting:	Concealed through-bolts
> For doors:	1 3/4" (44 mm), specify if alternate door thickness is required
> Backset:	2 3/4" (70 mm) only
> Case size:	4 5/16" x 6" x 1" (110 x 152 x 25 mm)
> Armour Front:	1 1/4" x 8" (32 mm x 203 mm)
> Preparation:	Conforms to ANSI A117.1
> Beveled doors:	Self-adjusting tabs on case
> Deadbolt:	Stainless Steel, 1" (25 mm) throw
> Latchbolt:	Stainless Steel, 3/4" (19 mm) throw with anti-friction tongue
> Deadlocking:	Stainless Steel, non-handed
> Through-bolts:	Through-bolted trim aligns with mortise case lock
> Stop works:	Incorporated into thumbturn
> Strike:	1 1/4" x 4 7/8" (32 x 124 mm), curved lip, square corner, extended lip strikes available
> Spindles:	Break-away under excessive torque, preventing forced entry or lock damage
> Cylinder:	6 pin cylinder standard, with 2 keys, "C" keyway
> IC core:	Interchangeable core is available
> Cam:	All cylinder functions use standard butterfly style cam
> Cylinder collar:	Compression ring and collar supplied standard
> Fasteners:	Concealed under the rose or escutcheon
> Certifications:	ANSI/BHMA A156.13 Series 1000 Grade 1 Operational and Security ADA Compliant ANSI A117.1 Accessibility Code; cUL/UL Listed up to 3 hours UL10C Positive Pressure Rated; UL10B Neutral Pressure Rated
> Material:	Latch bolt and deadbolt: Stainless Steel; Internal parts: High Strength Steel Alloy Mortise lock case and internal components are treated to ensure corrosion resistance.
> Finish:	630 satin chrome-plated (US32D)



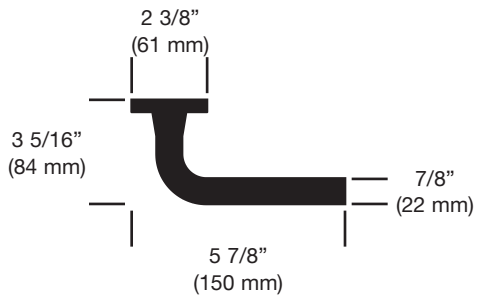
Dimensional data not binding. We reserve the right to alter specifications without notice.

Dimensions in mm
Inches are approximate

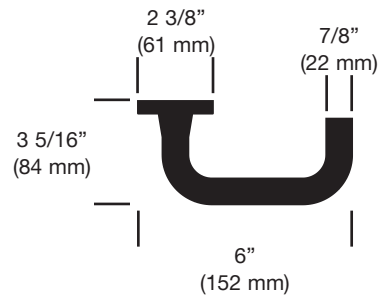
Lever Designs



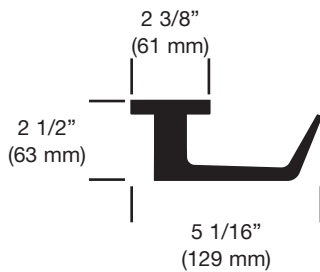
L801



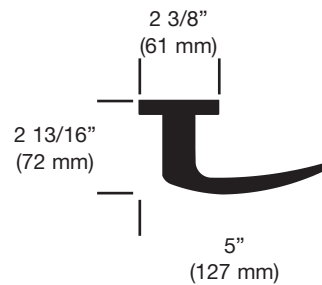
L802



L811



L812



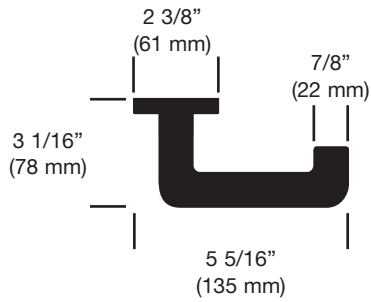
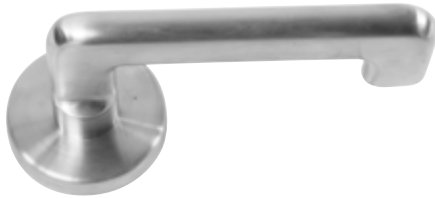
4

Dimensions in mm
 Inches are approximate

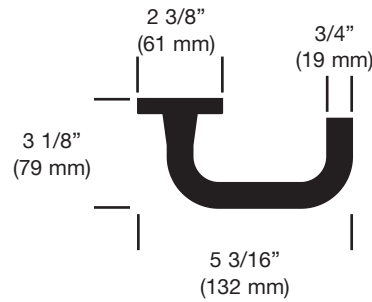
Lever Designs



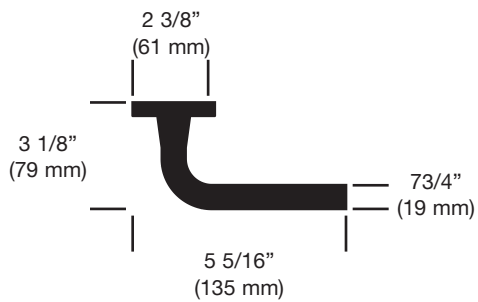
L813



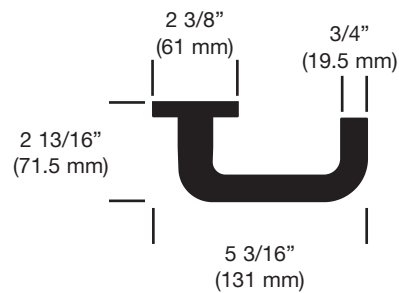
L814



L815



L816



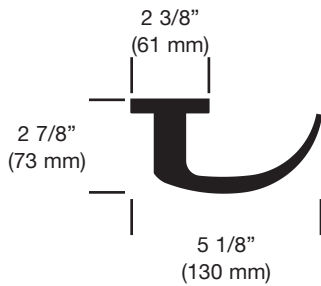
Dimensional data not binding. We reserve the right to alter specifications without notice.

4

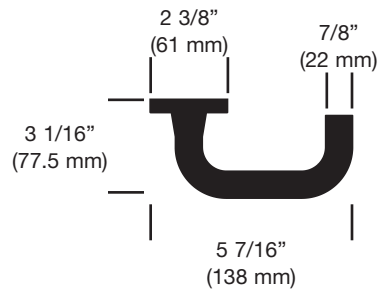


Lever Designs

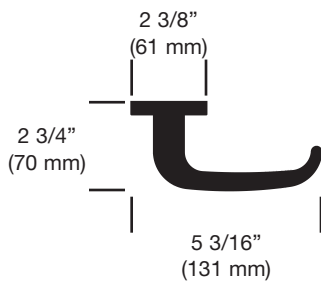
L817



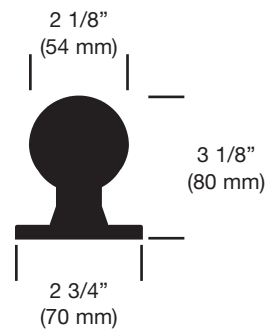
L818



L819



Ball Knob



4

Dimensions in mm
 Inches are approximate

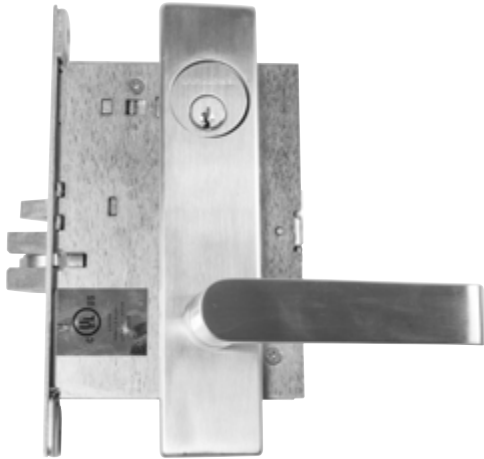
Escutcheon Plates

Width x Height x Thickness: 1 3/4" X 7 15/16" X 7/16" (44 X 202 X 11 mm)

Note

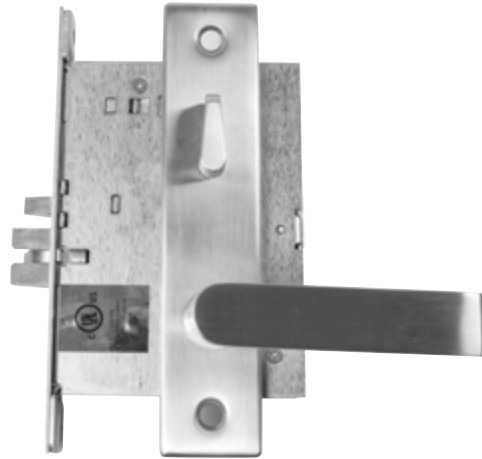
Escutcheons available for all functions.

ESC1 Outside



Outside

ESC1 Inside



Inside

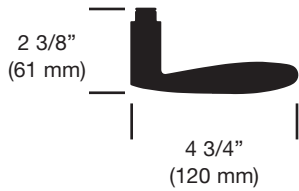


Lever Designs

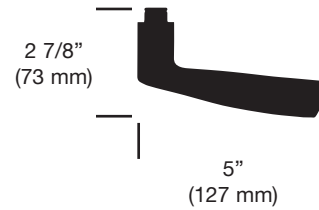
***Note**

Handed lever. See page 4.28 for available escutcheons.

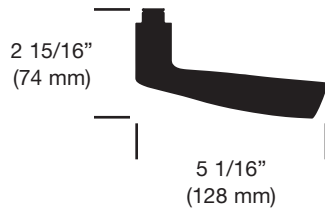
101 Matisse*



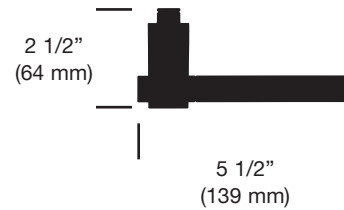
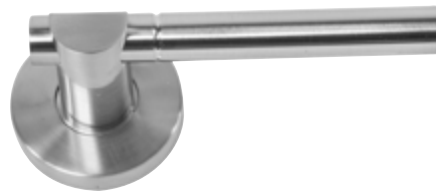
102 Picasso*



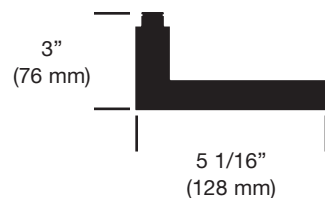
103 Dali*



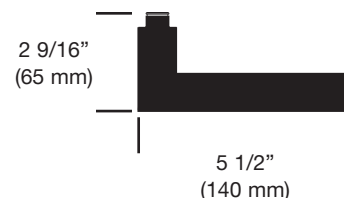
116 Mondrian*



119 Logan



126 Stella



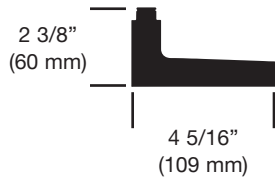
Dimensions in mm
 Inches are approximate

Lever Designs

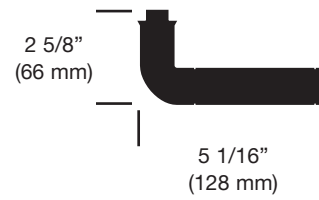
***Note**

Handed lever. See page 4.28 for available escutcheons.

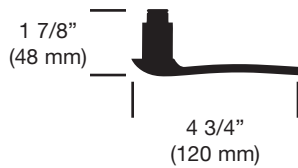
136 Muna



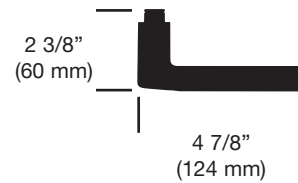
167 Vancouver



204 Wave



208 Aquis*



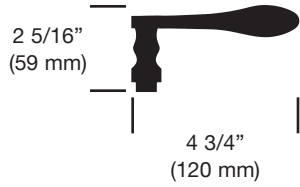
Dimensional data not binding. We reserve the right to alter specifications without notice.

Lever Designs

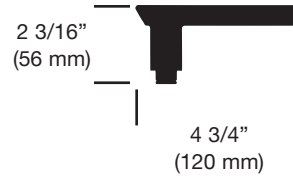
*Note

Handed lever. See page 4.28 for available escutcheons.

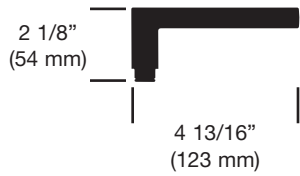
420 Belle*



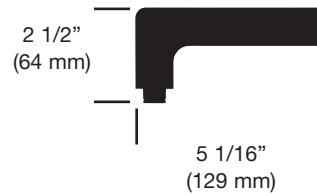
421 Plana



422 Serra



423 Miro



Non-Keyed

	Function	ANSI No.	Description	Item No.
	Passage	F01	Latchbolt retracted by knob/lever on either side.	911.79.900
	Privacy	F22	Latchbolt retracted by knob/lever on either side unless outside is locked by thumbturn. Operating inside knob/lever or emergency turn outside unlocks outside. Inside knob/lever always active.	911.79.910

Keyed without deadbolt

	Function	ANSI No.	Description	Item No.
	Office	F04	Latchbolt retracted by knob/lever on either side unless outside is locked by key outside or by turning inside thumbturn. When outside is locked, latchbolt is retracted by key outside or by knob/lever inside. Outside knob/lever remains locked until thumbturn is returned to vertical or unlocked by key. Auxillary latch deadlocks latchbolt when door is locked.	911.79.901
	Classroom	F05	Latchbolt retracted by knob/lever from either side unless outside is locked by key. Unlocked from outside by key. Auxiliary latch deadlocks latchbolt when door is locked. Inside knob/lever is always free for immediate egress.	911.79.902
	Storeroom	F07	Latchbolt retracted by key outside or by lever inside. Outside knob/lever always locked. Auxiliary latch deadlocks latchbolt when door is locked. Inside knob/lever is always free for immediate egress.	911.79.903

4

Keyed with deadbolt

	Function	ANSI No.	Description	Item No.
	Corridor	F13	Latchbolt retracted by knob/lever from either side. Deadbolt thrown or retracted by key outside or inside thumbturn. Throwing deadbolt locks outside knob/lever. Turning inside knob/lever simultaneously retracts deadbolt and latchbolt and unlocks outside knob/lever. Inside knob/lever is always free for immediate egress.	911.79.904
	Entrance	F20	Latchbolt retracted by knob/lever from either side unless outside is locked by 20 degree rotation of thumbturn. Deadbolt thrown or retracted by 90 degree rotation of thumbturn. When locked, key outside or knob/lever inside retracts deadbolt and latchbolt simultaneously. Outside knob/lever remains locked until thumbturn is restored to vertical position. Deadbolt thrown or retracted by key outside or inside thumbturn. Throwing deadbolt locks outside knob/lever. Auxillary latch deadbolts latchbolt when door is locked. Inside knob/lever is always free for immediate egress.	911.79.908
	Dormitory	F21	Latchbolt retracted by knob/lever from either side. Deadbolt thrown or retracted by key outside or thumbturn inside.	911.79.909

Deadbolt Functions

	Function	ANSI No.	Description	Item No.
	Deadbolt with turn	F17	Deadbolt thrown or retracted by key outside or thumbturn inside.	911.79.906
	Deadbolt without turn	F18	Deadbolt thrown or retracted by key outside.	911.79.907

Dimensional data not binding. We reserve the right to alter specifications without notice.

Dimensions in mm
 Inches are approximate

**Add Ons
Options**

Lead Lined

- > 1/8" thick lead plate installed on case cover for use on x-ray room doors



Torx Security

- > Enhance security and reduce tampering with the use of Torx security fasteners



Coin Turn Cylinder

- > For emergency override



ADA Compliant Thumbturn

- > Available for rose trim



Tactile Warning

- > Peened surface warns user against potential hazards
- > Used typically on one side only, unless otherwise specified
- > Available on stainless steel and 26D levers only



Antimicrobial

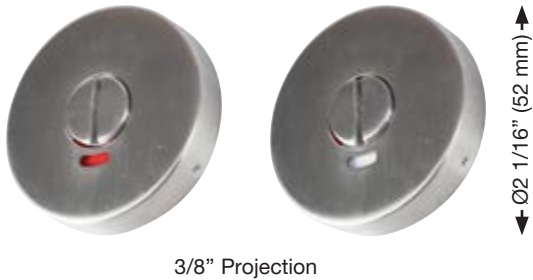
- > Häfele offers a wide range of architectural products with silver ion antimicrobial coating

Dimensional data not binding. We reserve the right to alter specifications without notice.

Add Ons
Occupied Indicators

Indicator R/W

> Red/White indicator with coin turn



3/8" Projection

Indicator R/GRN

> Red/Green indicator with coin turn



3/8" Projection

Indicator DND

> Blank/Do not disturb actuated by thumbturn for rose turn only

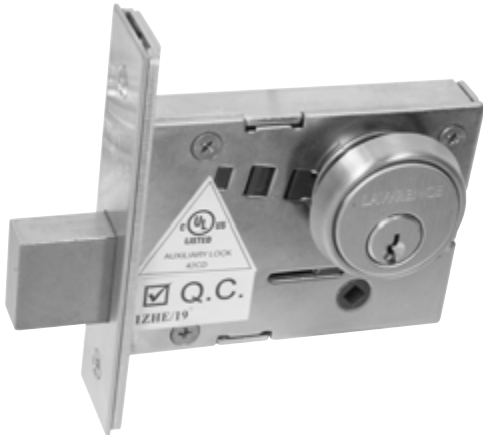


3/8" Projection

Dimensional data not binding. We reserve the right to alter specifications without notice.

- > Area of application: For locking where no latch is required, ideal for bathrooms and changing rooms.
- > Version: Armored front is adjustable for door bevel
- > Handing: Non-handed
- > Backset: 2 3/4" (70 mm) only
- > Bolt: 1" (25 mm) Stainless Steel throw deadbolt
- > Material: Case: Steel with corrosion resistant parts; Cylinder Retainer: High Strength Steel Alloy
- > Finish: 630 satin stainless steel (US32D)

Standard Deadbolt Lock Functions



4

	Function	Description	Item No.
	Cylinder with turn	Deadbolt thrown or retracted by key outside or thumbturn inside.	911.79.865
	Double cylinder	Deadbolt operated by key from either side.	911.79.866
	Classroom	Deadbolt thrown or retracted by key from outside. Inside thumbturn cylinder retracts deadbolt but cannot project it. *Specify right hand or left hand.	911.79.867
	Cylinder lock (cylinder only)	Deadbolt thrown or retracted by key from one side. No trim on opposite side.	911.79.868
	Door bolt (thumbturn only)	Deadbolt thrown or retracted by thumbturn from one side. No trim on opposite side.	911.79.869

Dimensional data not binding. We reserve the right to alter specifications without notice.

- > Area of application: For standard duty commercial and high-end residential use including office, residential single and multi-family applications.
- > Version: Compatible with 8700 series mortice locks for hybrid (mortise lock and tubular applications).
- > For doors: 1 3/8" - 1 3/4" (35 - 44 mm), specify if alternate door thickness is required
- > Backset: 2 3/8" or 2 3/4" (60 or 70 mm)
- > Strike: Full lip strike standard
- > Handing: Non-handed passage and privacy sets; some designs are handed for use as dummies
- > Latch bolt: 1/2" (12 mm) throw standard
- > Certifications: Warnock Hersey/Interlock listed for use on fire doors (20 minute rated).

Standard Deadbolt Lock Functions



	Function	Function Description	Finish	Item No.
	Passage	Latchbolt retracted by lever on either side.	630 (US32D)	911.79.860
			619 (US15)	911.79.862
	Privacy	Push-button locks outside lever. Turning inside lever or pushing emergency release unlocks outside lever. Inside lever always active.	630 (US32D)	911.79.861
			619 (US15)	911.79.863
	Half dummy trim	Single dummy trim for one side of door. Used for door pull as matching inactive trim.	630 (US32D)	911.79.850
			619 (US15)	911.79.851
	Double dummy trim	Double dummy for both sides of door. Used for door pulls as matching inactive trim.	630 (US32D)	911.79.852
			619 (US15)	911.72.853

Dimensional data not binding. We reserve the right to alter specifications without notice.

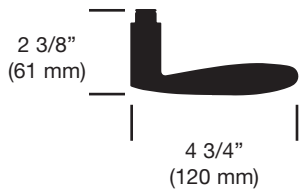
Dimensions in mm
Inches are approximate

Lever Designs

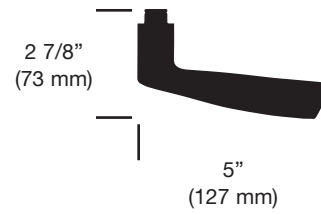
***Note**

Handed lever. See page 4.28 for available escutcheons.

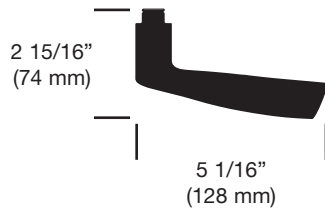
101 Matisse*



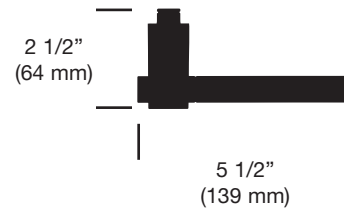
102 Picasso*



113 Dali*



116 Mondrian*

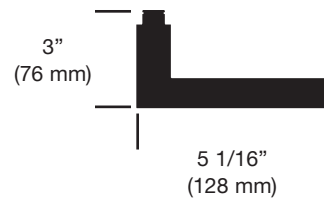


Lever Designs

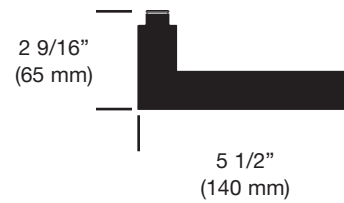
*Note

Handed lever. See page 4.28 for available escutcheons.

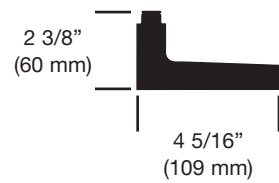
119 Logan



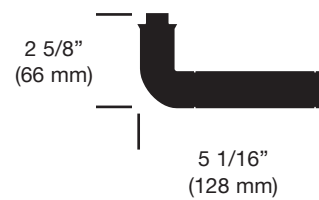
126 Stella



136 Muna



167 Vancouver



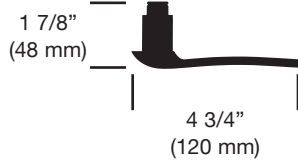
Dimensional data not binding. We reserve the right to alter specifications without notice.

Lever Designs

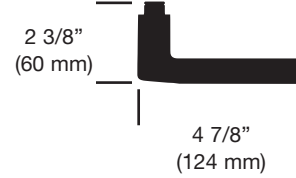
*Note

Handed lever. See page 4.28 for available escutcheons.

204 Wave



208 Aquis*

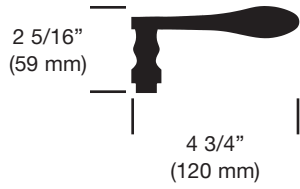


Lever Designs

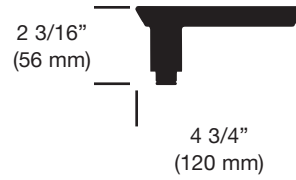
*Note

Handed lever. See page 4.28 for available escutcheons.

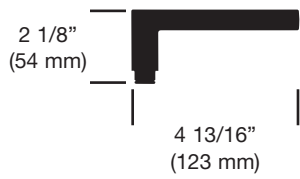
420 Belle*



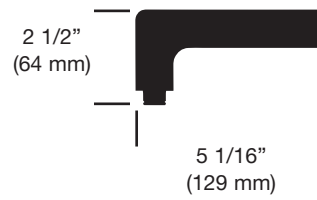
421 Piana



422 Serra



423 Miro



Dimensional data not binding. We reserve the right to alter specifications without notice.

Escutcheons

Note

Also available for 8700 series mortise. Made to order. Engraving is available.

Shown with 126 Stella Lever

> LH10028 square 2 7/8" (73 mm) X 11 3/4" (298 mm)



4

Shown with 102 Picasso Lever

> LH10035 round 3 1/4" (83 mm) X 11" (279 mm)



Dimensional data not binding. We reserve the right to alter specifications without notice.

Dimensions in mm
Inches are approximate

- > Area of application: Designed for locking where no latch is required. Ideal for suite entry, bathrooms and changing rooms.
- > Bore: 560 2 1/8" (54 mm); 560N 1 1/2" (38 mm)
- > Handing: Non-handed
- > Backset: 2 3/4" (70 mm) and 2 3/8" (60 mm)
- > Bolt: 1" (25 mm) throw deadbolt
- > Door thickness: 1 3/8" - 2" (35 - 50 mm)
- > Certification: cUL/UL listed for up 3 hours
- > Material: Roller: Hardened Steel (corrosion resistant for attack resistance)

Standard Deadbolt Lock Functions

560



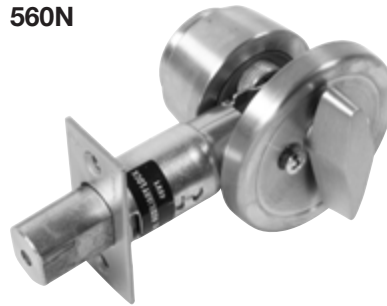
560N



560



560N



4

	Function	Description	Bore	Finish	Item No.
	Cylinder with turn	Deadbolt thrown or retracted by key outside or thumbturn inside.	560	630 (US32D)	911.79.880
			560	632 (US3)	911.79.882
			560	641 (US10B)	911.79.883
			560N	630 (US32D)	911.79.881
			560-IC	630 (US32D)	911.79.888
	Double cylinder	Deadbolt operated by key from either side.	560	630 (US32D)	911.79.884
			560	632 (US3)	911.79.885
			560	641 (US10B)	911.79.886
			560-IC	630 (US32D)	911.79.889
	Door bolt (thumbturn only)	Deadbolt thrown or retracted by thumbturn from one side. No trim on opposite side.	560	630 (US32D)	911.79.887

Dimensional data not binding. We reserve the right to alter specifications without notice.

Dimensions in mm
 Inches are approximate

Cylinder Options

- > Cylinders are not supplied when ordering exit device or trim. Please order separately.
- > The pages detailing exit device trim designs and functions advise cylinder type required.

Note

Standard cylinder is 1 1/4" (32 mm) long. SFIC cylinders are 1 3/8" (35 mm) long. LFIC cylinders are 1 1/2" (38 mm) long. Please specify cam.

Mortise Cylinder, Standard Type, 526



Finish	Item No.
626 (US26D)	916.60.571
641 (US10B)	916.60.572
632 (US3)	916.60.573
619 (US15)	916.60.574

Rim Cylinder, Standard Type, 426



Finish	Item No.
626 (US26D)	916.60.561
641 (US10B)	916.60.562
632 (US3)	916.60.563

Interchangeable Core, (SFIC), 208



Finish	Item No.
626 (US26D)	916.60.585

Interchangeable Core, (SFIC), 308



Finish	Item No.
626 (US26D)	916.60.586

Cylinder Options

- > Cylinders are not supplied when ordering exit device or trim. Please order separately.
- > The pages detailing exit device trim designs and functions advise cylinder type required.

Note

Standard cylinder is 1 1/4" (32 mm) long. SFIC cylinders are 1 3/8" (35 mm) long. LFIC cylinders are 1 1/2" (38 mm) long. Please specify cam.

**Small Format Interchangeable Core, (SFIC)
LH-7 PIN IC Core**



Finish: 626 (US26D)

Version	Item No.
Keyed random	916.60.580
Maser keyed	916.60.581
Temp	916.60.582

Material: Plastic

Version	Item No.
Temp	916.60.583

**Large Format Interchangeable Core, (LFIC)
*LC-IH Core Large Format**



*Special order only

Key in Knob (KIK), Key in Lever (KIL) Cylinder, K001



Finish: 626 (US26D)

Keyway	Item No.
Schlage C	916.60.590
Weiser	916.60.591
Sargent LA	916.60.592

Dimensional data not binding. We reserve the right to alter specifications without notice.

Keying Information

> Häfele has a full service keying department. We offer the following services:

MK	Master Keying
KA	Keyed Alike
KD	Keyed Different (standard)
CMK	Construction Master Keying
VKC	Visual Key Control (for keys)
CKC	Concealed Key Control (for cylinders)

When ordering master key systems it is important to consider all of the items below. If information is missing the order may be placed on hold until the missing information is provided.

1. Job name and location:

2. System is new____ or existing____

3. Highest level of system: 1-SKD____, 2-MK____, 3-GM____, or 4-GGM____

4. System type: Standard cylinders____, SFIC (small format interchangeable core)____
or LFIC (large format interchangeable core)____

5. Cylinder____ and key stamping____ if required must be specified

6. Key quantities for operating keys____, master keys____, control keys____ and construction keys____

7. If construction keying____ is required please specify

8. Packaging: pack keys with locks____ or pack separately____

9. Branded____ or non-branded cylinders____

10. Branded____ or non-branded keys____

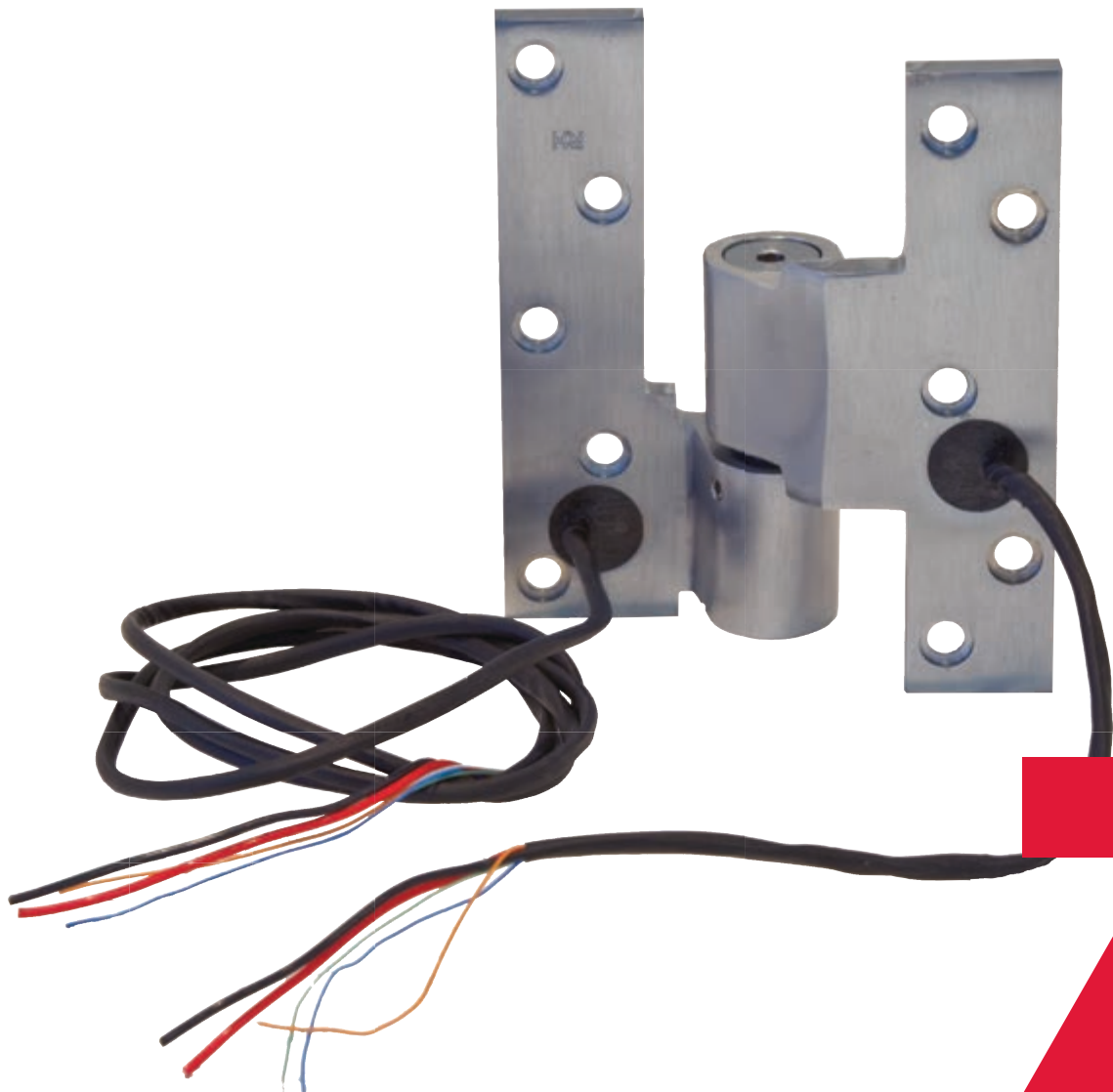
11. Additional Information:

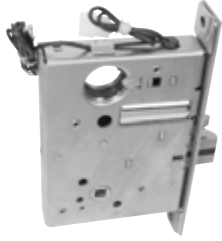
4

5

HÄFELE

ELECTRIFIED PRODUCTS





Electrified Products

Mortise (EL/EU, ELR AND REX) _____	5.3 - 5.4
Device Trims _____	5.5
Electric Latch Retraction (ELR) _____	5.6
Exit Alarm _____	5.7
Delayed Egress _____	5.8
Cylindrical (EL/EU AND REX) _____	5.9
Power Supplies _____	5.10 - 5.13
Hinges _____	5.14 - 5.15
Door Loops _____	5.16
Wall Magnets _____	5.17

Add Ons

- > Area of application: Allows remote keyless access and egress control for heavy use applications where security, safety and convenience are required.
Common applications include security control rooms, cashier rooms, stairwell doors, telephone equipment rooms, IT departments and hospital equipment and narcotics storage areas.
Electrified mortise locks can be purchased complete with trim or the chassis may be purchased separately to retrofit with existing hardware trim.
Actuating devices include card readers, wall switches, security consoles, remote release buttons, telephone access controls and many more.
- > Features: Continuous duty solenoids
Reversible handing
Low current draw
- > Options: Available EL Electrically Locked (Fail Safe)
EU Electrically Unlocked (Fail Secure)
Request to Exit (REX)
Latch Bolt Monitor Switch (LBM)
Electric Latch Retraction (see next page for more details)
- > Operating voltage: 12 or 24 VDC (please specify when ordering)
- > Amperage: 12V = 700mA / 24V = 350mA
- > Coil resistance: 12V = 18 Ohms / 24V = 69 Ohms
- > Power consumption: 8 watts

Note

Special order only.



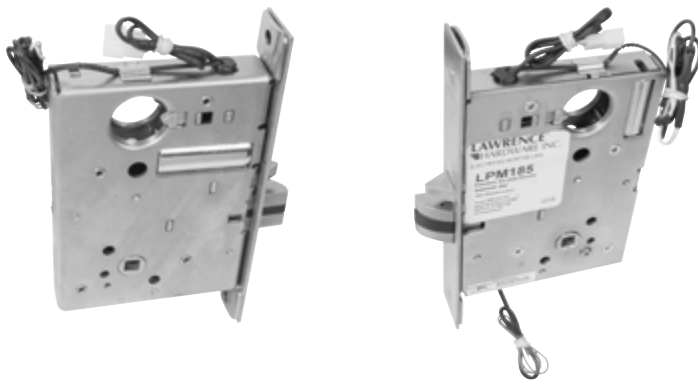
Dimensional data not binding. We reserve the right to alter specifications without notice.

Add Ons

- > Area of application: Brings electric latch retraction to a standard mortise lock body. When energized, the latch bolt is completely retracted allowing a push-pull condition. This revolutionary product accomplishes what previously could only be done with electric strikes or electric latch retraction exit devices. Interface module allows for up to 350' (106.6 m) long wire runs. An ideal solution for conditions requiring automatic door openers.
- > Features: Utilizes our patented technology. Circuitry allows for momentary or "continuously on" (push/pull) applications. No special lock prep required – fits standard mortise pocket. Solenoids rated for continuous duty.
- > Options: Available in EU (Fail Secure)
- > Amperage: 350mA @ 24V
- > Power: Must be powered by a PS Series power supplies

Note

Special order only.



Add Ons

- > Area of application: Perfect for stairwell conditions and applications, where electric latch retraction of the exit device's latchbolt(s) is cost prohibitive or not required. Especially practical in applications where fire/life safety codes require a "fail safe" condition, which is not an option with electrified latch pullback devices.
- > Features: Continuous duty solenoids used to ensure trouble free operation
Internally mounted solenoid means easy installation - no special prep required
Low current draw, an expensive power supply is not required
- > Options: Available Fail Safe (Electrically Locked) or Fail Secure (Electrically Unlocked)
- > Operating voltage: 12 or 24V must be specified when ordering
- > Amperage: 260mA at 12V / 160mA at 24V
- > Coil resistance: 12V = 49 Ohms / 24V = 159 Ohms

Note

Special order only.



Dimensional data not binding. We reserve the right to alter specifications without notice.

Add Ons

- > Area of application: Allows for remote keyless, mechanical or electronic, access control in high occupancy/high traffic conditions where exit devices are required. Applications include hospitals, airports, schools, churches and is commonly used in conjunction with automatic door openers.
- > Features: A very robust motorized latch retraction unit for 8000 Series exit devices
Comes with smart module: on board diagnostics with audible feedback for adjustment and power issues
Push to set (PTS): 5 second electronic adjustment for post installation
Electric dogging rated for continuous duty - auto retraction if dogged push pad is pulled from position
Low current draw
Field switchable to a "high torque" mode
6' (1.8 m) cable with quick connect
- > Voltage: Voltage range - 22 to 28 VDC
System protection - unit will shut down when voltage exceeds 28VDC
Average in rush current - 1A
Average hold current - 180mA
- > Wire run: 500' (152.4 m) with 18ga wire; 700' (213.3 m) with 16ga wire
- > Power supplies: Recommended - PS1, PS2 or PS5-8
- > Options: Request to exit (REX)

Note

Special order only.



5

Dimensions in mm
Inches are approximate

AHAS **5.6**

www.hafele.com/us

Dimensional data not binding. We reserve the right to alter specifications without notice.

Add Ons

- > Area of application: All 8000 series exit devices can be converted into alarm devices. Designed to deter, with the alarm, unauthorized use of the opening. To warn someone who might open a controlled door the push bar is printed with EMERGENCY EXIT ONLY PUSH TO OPEN ALARM WILL SOUND.
- > Features: The alarm module is operated by a 9VDC battery Type E - monitors push bar, latch bolt and end cap When the push bar is depressed or the latch bolt is retracted by the outside trim, the alarm will sound. Tampering with end cap will also trip alarm.
- > How to order: Use prefix "AL" on any 8000 Series. Example: AL8810SE - 36 - 630 (Alarmed rim exit device with Type E monitor, 36" in 630 (US32D) finish)

Note

Special order only.



Add Ons

- > Area of application: Designed to provide a controlled exit in a predetermined time delay. When the exit device is armed it will delay exit to any person for 15 to 30 (specify) seconds after the push pad is depressed for 3 or more seconds. Once the push pad is depressed for 3 or more seconds an alarm will sound that will alert appropriate people to respond to the signal and take immediate action. The alarm module also has a nuisance alarm feature in the event someone bumps or touches the push pad for less than 3 seconds. The delayed egress exit device is furnished with a sticker in red letters which states:
EMERGENCY EXIT ONLY
PUSH UNTIL ALARM SOUNDS
DOOR CAN BE OPENED IN 15 SECONDS
- > Features: When in the armed state it can be by-passed by turning the cylinder clockwise, allowing authorized personnel to exit without setting off the alarm. When in the armed state turning the cylinder counter clockwise will temporarily release the device without setting off the alarm and will re-arm after 10 seconds.
- > Certification: ANSI A156.3 and ANSI A156.24

Note

Consult local codes before specifying or supplying. Special order only.



Add Ons

- > Area of application: Allows remote keyless access and egress control for commercial applications where security, safety and convenience are required. Common applications include security control rooms, classrooms, meeting rooms, telephone equipment rooms and IT departments.
Actuating devices include card readers, wall switches, security consoles, remote release buttons, telephone access controls and many more.
- > Features: Continuous duty solenoids
Non-handed
Low current draw
1 year warranty
- > Options: Available EL Electrically Locked (Fail Safe)
EU Electrically Unlocked (Fail Secure)
Request to exit (REX)
- > Operating voltage: 12 or 24 VDC please specify when ordering
- > Amperage: 12V = 250mA / 24V =150mA
- > Coil resistance: 12V = 49 Ohms / 24V =159 Ohms
- > Power consumption: 3W

Note

Special order only.



Power Accessory

- > Area of application: The CRU2 “non-polarity” sensitive is a current reduction module that is designed to work with low current DC voltage electric locking devices (cylindrical locks, mortise locks or panic trim) that are being used in a “fail safe” or “unlock cycle” condition.
 When energized, the CRU2 allows the device to receive full current long enough for the solenoid to actuate. Once actuated, the CRU2 limits the current the solenoid consumes allowing it to run cooler, but delivering enough current for the solenoid to remain actuated as long as is needed.
- > Features: With a small adjustment screw for flexibility in the field, allowing the installer to fine tune the current and maximize the efficiency.
 Accepts up to 30V AC or DC input
 Allows “continuously on” low current devices to run cooler, increasing the life of the solenoid and reducing service calls.
 No more “hot levers”
 Protects solenoid locks and exit trim from spikes and blow back.
- > Operating voltage range: 12 to 30VDC
- > Maximum amperage: 1.0A

CRU2



	Item No.
	823.31.000

Power Supply

- > Area of application: A heavy duty, high quality, low cost solution for powering a single electric latch pullback exit device. The solid-state design ensures years of trouble-free operation. This linear power supply delivers the current needed for the extreme in-rush requirement of most solenoid driven electric latch retracting exit devices. The power supply comes housed in a sturdy, yet compact metal enclosure.
- > Features: Delivers the necessary high current in-rush for a single exit device. Solid-state design eliminates problems associated with mechanical relays. Single input/output (input triggered by dry contact)
- > Certifications: UL listed; CSA listed
- > Input voltage: 120VAC
- > Output voltage: 24VDC regulated @ 1A (56 watt transformer)
- > LEDs: Red = Power indicator / Green = Channel on
- > Enclosure dimensions: 10" x 10" x 4" (254 x 254 x 102 mm)

PS1



	Item No.
	917.93.040

Dimensional data not binding. We reserve the right to alter specifications without notice.

Dimensions in mm
 Inches are approximate

Power Supply

- > Area of application: A high quality, cost effective solution for powering two electric latch pullback exit devices.
- > Features:
 - Provides the necessary surge current that most latch pullback exit devices require.
 - Delivers the necessary in-rush current to power two latch pullback exit devices.
 - Independent inputs/outputs with priority sensing; with built-in delays each output harnesses the full capacity for the power supply.
 - Solid-state design eliminates mechanical problems associated with relays.
 - Thermal overload sensing reduces risk of failure due to overheating.
 - Fire alarm disconnect link.
 - Inputs triggered by dry contact.
 - Intelligent short circuit detection detects shorts much faster than glass or resettable fuses and isolates the short to the individual output.
 - Removable euro-style terminal blocks allow for easy wiring.
 - Efficient battery backup/charging circuitry with zero voltage drop at power loss (PS2BB)
 - Solid-state reverse polarity protection for battery connections (PS2BB)
 - Audible alert when sensing AC power failure & low battery (PS2BB)
 - 2 solid-state inputs/outputs (input triggered by dry contact)
- > Certifications: UL Listed; CSA Listed
- > Input voltage: 120VAC
- > Output voltage: 24 VDC regulated @ 2A (56 watt transformer)
- > Temperature range: - 32° to 120° F
- > LEDs: Red = power indicator / Green = channel on
- > Enclosure dimensions: 12.5" x 15" x 5" (317.5 x 381 x 127 mm) (for the PS2BB, accommodates two 7AH batteries)

Note

Requires (2)ea. 12V 7 amp hour batteries (batteries not included) (PS2BB)

PS2/PS2BB



Version	Item No.
PS2	917.93.041
PS2BB (BB = battery backup)	917.93.043

Series Power Supply

- > Area of application: A regulated, linear power supply rated at 5 Amps @ 24VDC.
 State-of-the-art, solid-state design offers a flexible and cost effective solution to powering and controlling low current DC locking devices such as mortise locks, cylindrical locks, panic trim, and electric strikes.
- > Features: The installer can control low current and high surge current devices together with one power supply.
 Offers a continuous 27.6V battery charging circuit while allowing adjustable output voltage (24-27VDC).
 The PS5 is available in 4, 6, and 8 I/O models to accommodate most field conditions.
 Housed in an attractive, high-quality enclosure.
 Adjustable output voltage from 24-27VDC
 Independent, battery backup charging circuit at 27.6V with solid-state design and very low voltage loss
 Fire alarm link
 Solid-state design eliminates mechanical problems associated with relays.
 Removable euro-style terminal blocks allow for easy wiring.
 Up to (8) Solid-state inputs (specify dry contact or voltage trigger)
 Up to (8) Solid-state outputs
 Thermal auto-resettable fuses
 3-year "no hassle" warranty
- > Certifications: UL Listed; CSA Listed (PS5-8 only)
- > Input voltage: 110 VAC
- > Output voltage: 24VDC @ 5A continuous current
- > LEDs: Red = power indicator / Green = channel on
- > Enclosure dimensions: 12.5" x 15" x 5" (317.5 x 381 x 127 mm) (accommodates two 7AH batteries - batteries not included)

PS5



	Item No.
	917.93.042

Dimensional data not binding. We reserve the right to alter specifications without notice.

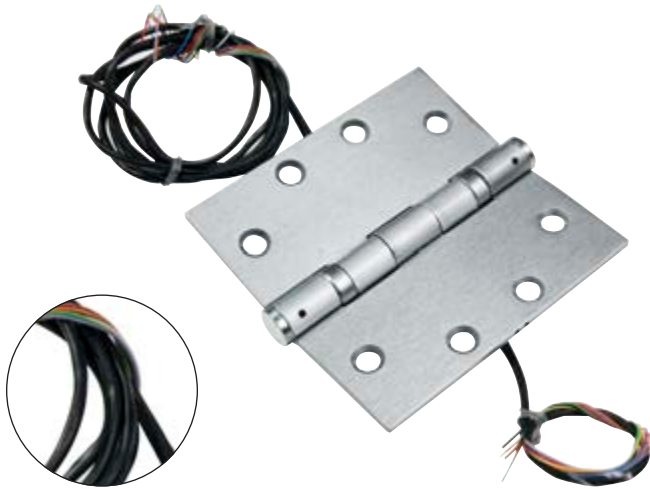
Dimensions in mm
 Inches are approximate

Add Ons
Power Transfer Butt Hinges

- > Area of application: The electric through wire hinge (ETH) is the ideal way to pass low voltage power from the hinge jamb to the lock set without having any exposed wires. These hinges are commonly used with electric mortise & cylindrical locks, electric strikes (when on a pair of doors), electric exit trims, latch pullback devices, door mounted card readers and low voltage door lights.
- > Features: 4' lead available
Center located wire access holes
Quick connect optional
- > Specifications: 2W (2/20ga)
4W (4/26ga)
8W (8/28ga)
12W (12/28ga)
- > Certification: UL-F Rated

Note

Special order only.



5

Dimensions in mm
Inches are approximate

AHAS **5.14**

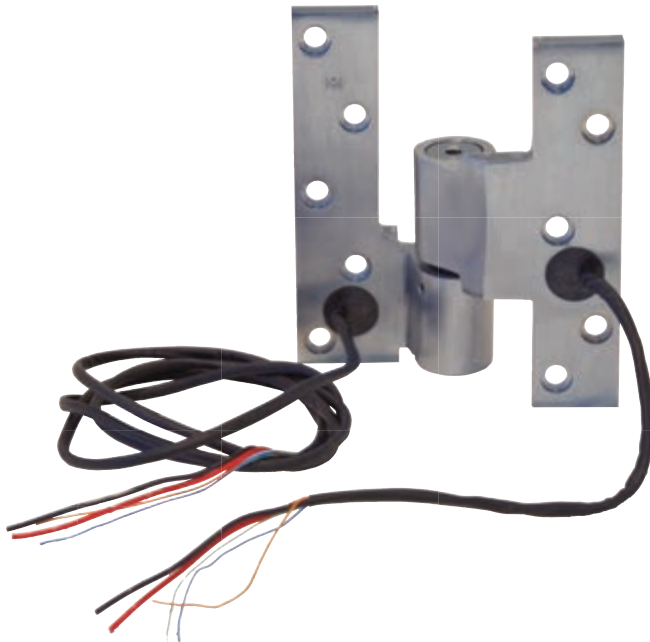
Add Ons

Power Transfer Butt Hinges

- > Area of application: The energy transfer pivot hinge is available in the same wire configurations as butt hinges. A great option for passing power from the hinge jamb to the door without any exposed wires or cords.
- > Features: Non-conductive wire access cap for wire protection
4' lead available
Multiple wire configurations available
Quick connect optional
- > Specifications: 2W (2/20ga)
4W (4/26ga)
8W (8/28ga)
12W (12/28ga)

Note

Special order only.



Concealed Door Loop

- > Area of application: The patented concealed door loop (CDL) is a low cost method of transferring low voltage power from the door frame to the locking device. Typical door loops are surface mounted and remain constantly visible; the CDL slides into the door and/or frame completely concealing itself when the door is closed. Common applications include: use with continuous hinges, storefront conditions where offset hinges are used, and for most applications where ETH hinges or conventional door loops would be used. The CDL's aesthetic appeal will benefit retrofits as well as new installations.
- > Function: Standard
- > Features: Durable finish
 Special 1/4" (3 mm) flexible armoured conduit (i.d. 1/4" (3 mm)
 Supports up to 180° swing (standard butt and continuous hinge applications)
 Easy installation
 Variable mounting locations
- > Options: CDL-EXT extended 12" (305 mm); CDL-EXT2 extended 18" (457 mm)
- > Finish: aluminum

CDL



	Item No.
	912.02.160

Surface Door Loop

- > Area of application: The surface door loop provides a safe way to transfer power when concealed methods are not possible. With flexible armoured conduit (i.d. 9/32" (7.144 mm) and end caps, the DL20 door loop offers a field sizeable (18" - 20" (457 - 508 mm), surface applied solution.
- > Function: Standard
- > Specifications: 2W (2/20ga)
 4W (4/26ga)
 8W (8/28ga)
 12W (12/28ga)
- > Finish: aluminum

Note

Other wire configurations available.

DL20

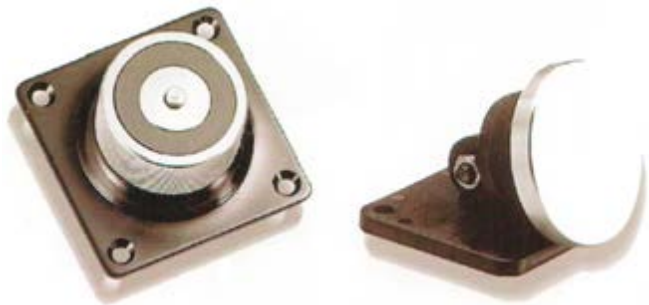


	Item No.
	912.02.162

Dimensional data not binding. We reserve the right to alter specifications without notice.

<ul style="list-style-type: none"> > Specifications: > Technical details: > Sensor: > Certifications: 	<p>Basic wall mount</p> <p>L x W x H: 3 1/8" x 3 1/8" x 1 5/8" (80 x 80 x 40 mm)</p> <p>Dual voltage: 12V / 24VDC</p> <p>Current draw: 100mA/12VDC, 50mA/24VDC</p> <p>Holding force: about 50KGS</p> <p>Adjustable or fixed armature plate</p> <p>Built-in spike suppressor</p> <p>Optional</p> <p>CE approved; UL listed</p>
---	---

LHDH501



	Item No.
	912.05.802

<ul style="list-style-type: none"> > Specifications: > Technical details: > Sensor: > Certifications: 	<p>Wall flush mount</p> <p>L x W x H: 4 3/4" x 3 1/16" x 15/16" (121 x 78 x 25 mm)</p> <p>Dual voltage: 12V / 24VDC</p> <p>Current draw: 100mA/12VDC, 50mA/24VDC</p> <p>Holding force: about 50KGS</p> <p>Adjustable or fixed armature plate</p> <p>Built-in spike suppressor</p> <p>Optional</p> <p>CE approved; UL listed</p>
---	---

LHDH505



	Item No.
	912.05.803

Dimensional data not binding. We reserve the right to alter specifications without notice.

- > Specifications: Surface mount
- > Technical details: L x W x H: 4 5/8" x 2 3/4" x 3" (116.5 x 69.5 x 76.2)
Power: 12V AC/DC, 24V AC/DC, 120V AC
Current: 12V/60mA, 24V/30mA, 120V/20mA
Holding force: about 15KGS
Adjustable armature plate
- > Certification: UL listed
- > Finish: aluminum painted

LHDH2300

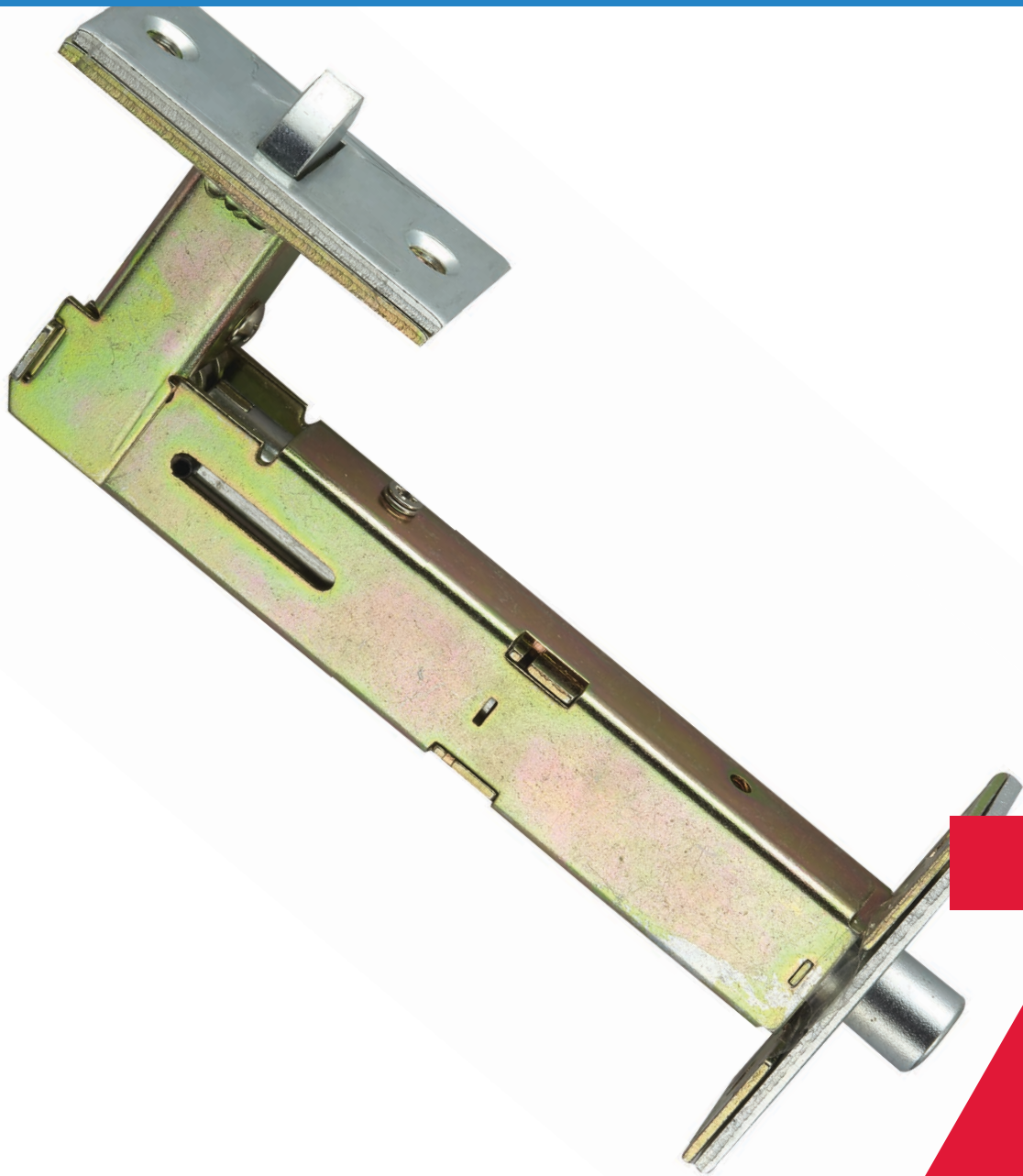


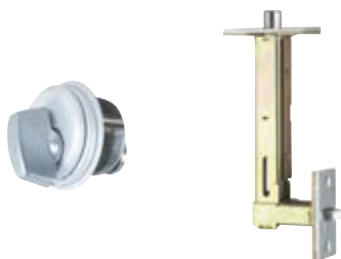
	Item No.
	912.05.804

6

HÄFELE

FLATWARE AND ACCESSORIES





Flatware Accessories

Pulls, Flush Bolts, Surface Bolts, Roller Latches,
Floor Stops and Wall Stops _____ 6.3 - 6.6
Kickplates , Push Plates, and Coordinators _____ 6.7 - 6.10
Automatic Flush Bolts, Constant Latching
Flush Bolts and Universal Flush Bolts _____ 6.11 - 6.16

Pulls

- > Material: Stainless Steel
- > Finish: 630 satin stainless steel US32D

Pulls



Model	Dimensions	Item No.
LH4006-1	Ø3/4" x 6" C/C	903.03.200
LH4006-2	Ø1" x 6" C/C	903.03.210
LH4008-1	Ø3/4" x 8" C/C	903.03.202
LH4008-2	Ø1" x 8" C/C	903.03.212
LH4012-1	Ø3/4" x 12" C/C	903.03.204
LH4012-2	Ø1" x 12" C/C	903.03.214

Pull/Plates



Model	Dimensions	Item No.
LH4606-1	Ø3/4" x 6" C/C x 4" x 16" plate	903.03.220
LH4606-2	Ø1" x 6" C/C x 4" x 16" plate	903.03.230
LH4608-1	Ø3/4" x 8" C/C x 4" x 16" plate	903.03.222
LH4608-2	Ø1" x 8" C/C x 4" x 16" plate	903.03.232
LH4612-1	Ø3/4" x 12" C/C x 4" x 16" plate	903.03.224
LH4612-2	Ø1" x 12" C/C x 4" x 16" plate	903.03.234

Offset Pulls



Model	Dimensions	Item No.
LH1180-1	Ø3/4" x 6" C/C	903.03.240
LH1180-2	Ø1" x 6" C/C	903.03.250

Dimensional data not binding. We reserve the right to alter specifications without notice.

Dimensions in mm
Inches are approximate

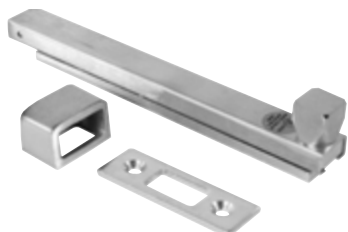
Flush Bolts



- > Material: Brass/Steel
- > Finish: 630 satin stainless steel US32D

Model		Item No.
LH401	Extension flush bolt	911.68.384
LH401UL	Extension flush bolt - UL listed	911.79.004

Surface Bolts



- > Material: Steel
- > Finish: 630 satin stainless steel US32D

Model		Item No.
LH70TB	8" Surface bolt c/w top and bottom strike	911.79.838
LH70TBUL	8" Surface bolt c/w top and bottom strike - UL listed	911.79.839

Roller Latches



Heavy duty "adjustable" roller latch

Heavy duty "adjustable" roller latch (with "T" strike)

Heavy duty "adjustable" roller latch (with ANSI strike)

- > Material: Brass
- > Finish: 630 satin stainless steel US32D

Model		Item No.
LH403	Heavy duty "adjustable" roller latch	911.24.084
LH404H	Heavy duty "adjustable" roller latch (with "T" strike)	911.68.385
LH405H	Heavy duty "adjustable" roller latch (with ANSI strike)	911.68.386

3-Wheel Hanger Running Gear



- > Weight capacity: 125 lbs.
- > Material: Steel

Finish	Item No.
zinc-plated	407.13.930

LH200



- > 1/4" rise
- > Material: Zinc
- > Finish: 626 satin chrome plated US26D

	Item No.
	937.54.904

LH209



- > 1/4" rise X 1 1/2" high
- > Material: Zinc
- > Finish: 626 satin chrome plated US26D

	Item No.
	937.54.930

LH281



- > Extra heavy duty
- > Material: Zinc
- > Finish: 626 satin chrome plated US26D

	Item No.
	937.94.077

LH430



- > Decorative
- > Material: Zinc
- > Finish: 626 satin chrome plated US26D

	Item No.
	937.54.934

LH210



- > Non-directional
- > Material: Zinc
- > Finish: 626 satin chrome plated US26D

	Item No.
	937.54.931

LH211



- > Heavy duty spring loaded
- > Material: Zinc
- > Finish: 630 satin stainless steel US32D

	Item No.
	937.54.932

Dimensional data not binding. We reserve the right to alter specifications without notice.

LH240



- > Wall stop (convex)
- > Material: Brass
- > Finish: 626 satin chrome plated US26D

	Item No.
	937.01.300

LH240B



- > Wall stop (convex)
- > Material: Stainless Steel
- > Finish: 630 satin stainless steel US32D

	Item No.
	937.13.300

LH250



- > Wall stop (concave)
- > Material: Brass
- > Finish: 626 satin chrome plated US26D

	Item No.
	937.01.301

LH250B



- > Wall stop (concave)
- > Material: Stainless Steel
- > Finish: 630 satin stainless steel US32D

	Item No.
	937.13.310

LH270



- > Heavy duty baseboard stop
- > 2 3/8" high
- > Material: Brass
- > Finish: 626 satin chrome plated US26D

	Item No.
	937.13.340

LH272



- > Heavy duty baseboard stop
- > 2 3/8" high
- > Material: Brass
- > Finish: 626 satin chrome plated US26D

	Item No.
	937.54.933

LH273



- > Heavy duty baseboard stop
- > 3 1/2" high
- > Material: Brass
- > Finish: 626 satin chrome plated US26D

	Item No.
	937.13.341

LH289



- > Door holder; heavy duty kick down
- > Material: Brass
- > Finish: 626 satin chrome plated US26D

	Item No.
	938.42.000

Plates



Kickplates

- > Specify: Width x Height x Material Gauge
- > Mounting: Screw mounting with beveled edges standard
Tape mounting available
- > Material: Brass, Bronze, Aluminum, Stainless Steel (304)
- > Material gauge: GSH80 – 20 ga.
GSH80A – 18 ga.
GSH80B – .062 ga.
GSH80C – .125 ga.
- > Finish: All standard ANSI/BHMA finishes

Note

Available by special order/price per application.

Pictogram Plates

- > Specify: Width x Height x Material Gauge
- > Material: Brass, Bronze, Aluminum, Stainless Steel (304)
- > Material gauge: GSH80 – 20 ga.
GSH80A – 18 ga.
GSH80B – .062 ga.
GSH80C – .125 ga.
- > Finish: All standard ANSI/BHMA finishes

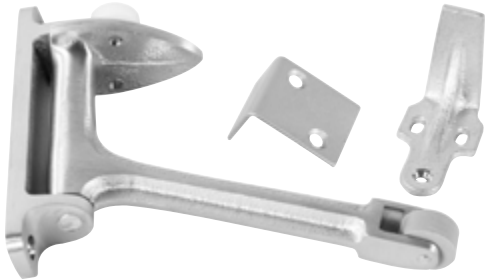
Note

Available by special order/price per application.
Custom engraving available; i.e. Male, Female, ADA, Suite Numbers, Logos, etc.

Dimensional data not binding. We reserve the right to alter specifications without notice.

- > Area of application: Used to coordinate the closing of pairs of doors in jamb openings 36" (914 mm) to 104" (2642 mm) wide.
- > Features: The rubber roller at the end of the coordinator arm cushions the contact of the active door when it is closing. The reversible nylon roller which lifts the coordinator arm insures smooth and long lasting operation. A curved lip roller strike is supplied with all devices.
- > Handing: Non-handed
- > Overall projection: 7" (178 mm)
- > Certification: UL Listed
- > Material: Coordinator mechanism and inactive door brackets: Solid Brass
 Roller strike for the top of the inactive door: Wrought Stainless Steel
- > Finish: 652 satin chrome-plated (US26D)

LH409 Drop Down Style Coordinator



	Item No.
	931.65.560

- > Features: F6018, 18" (457 mm) filler bar, aluminum
 Supplied with 2 pieces of MB2, mounting brackets for top stop width over 2 1/4" (57 mm)
- > Length: 42" (1067 mm)
- > Material: Steel
- > Finish: aluminum

LHSMC-42 Surface Mounted Door Coordinator



	Item No.
	931.65.542

- > Features: F6018, 20" (508 mm) filler bar, aluminum
 Supplied with 2 pieces of MB2, mounting brackets for top stop width over 2 1/4"(57 mm)
- > Length: 52" (1321 mm)
- > Material: Steel
- > Finish: aluminum

LHSMC-52 Surface Mounted Door Coordinator

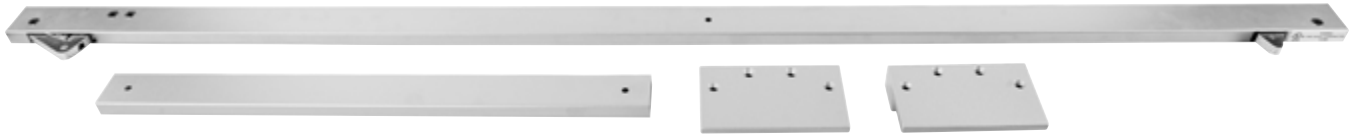


	Item No.
	931.65.543

Dimensional data not binding. We reserve the right to alter specifications without notice.

- > Features: F6018, 36" (914 mm) filler bar, aluminum
 Supplied with 2 pieces of MB2, mounting brackets for top stop width over 2 1/4" (57 mm).
- > Length: 60" (1524 mm)
- > Material: Steel
- > Finish: aluminum

LHSMC-60 Surface Mounted Door Coordinator

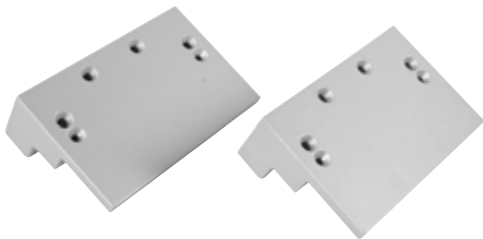


	Item No.
	931.65.544

Mounting Brackets

- > Area of application: For top stop width 7/8" to 2 1/4" (22 to 57 mm)

LHMB3



	Item No.
	931.65.545

Supplied With
 2 pcs.

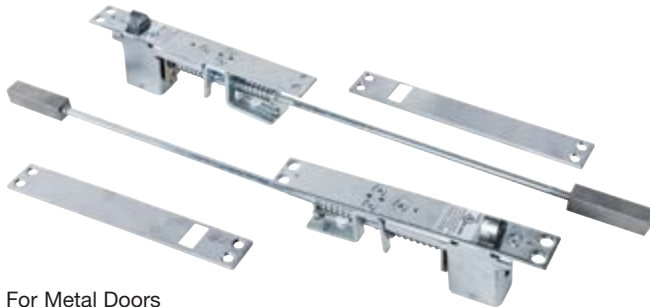
- > Area of application: Use in pairs (top and bottom) on the inactive leaf of double wood or hollow metal doors. Opening active door automatically retracts top and bottom bolts. Closing active door automatically extends top and bottom bolts.
- > Specifications: Non-handed
- > Faceplate Size: LH610M - 1" x 6 3/4" (25.4 x 171 mm)
LH610W - 1" x 8 1/2" (25.4 x 216 mm)
- > Certifications: cUL/UL listed for fire doors
Label A (3 - hour fire doors)
ANSI/BHMA A156.3
- > Finish: 630 satin stainless steel (US32D)

Note

Can be used as top bolt only when combined with LHFL001.

The LHFL001 is an auxiliary fire latch bolt, temperature actuated, that extends from the active door into the inactive door.

Automatic Flush Bolts



For Metal Doors

Model	Item No.
LH610M, for metal doors	911.79.023
LH610W, for wood doors	911.79.711



For Wood Doors

Dimensional data not binding. We reserve the right to alter specifications without notice.

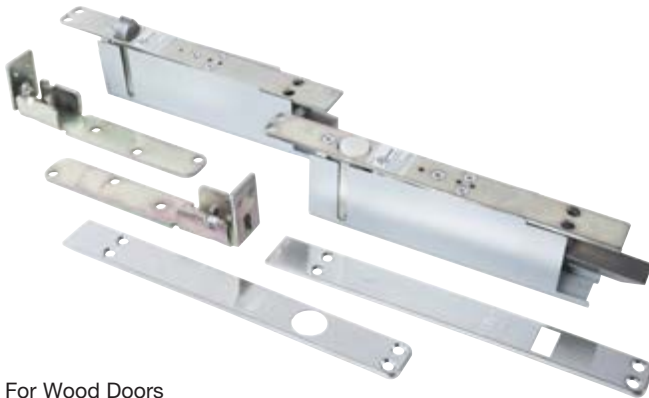
- > Area of application: The self-latching flush bolt is used on the top of the door and is combined with an automatic flush bolt at the bottom of the door.
 The top bolt automatically engages frame strike when the inactive door is closed.
- > Faceplate Size: LH510M - 1" x 6 3/4" (25.4 x 171 mm)
 LH510W - 1" x 8 1/2" (25.4 x 216 mm)
- > Certifications: UL/UL listed for fire doors. Label A (3 - hour fire doors)
 ANSI/BHMA A156.3
- > Finish: 630 satin stainless steel (US32D)

Constant Latching Flush Bolts



For Metal Doors

Model	Item No.
LH510M, for metal doors	911.79.046
LH510W, for wood doors	911.79.052



For Wood Doors

6

- > Area of application: Installed at the top and bottom of fire-rated doors on the inactive leaf.
 Top and bottom bolts will automatically retract when the active door is opened.
- > Features: Simple door preparation
 Easy installation
 Requires (2) Ø1 1/8" (29 mm) holes and simple rectangular faceplate preps
 Dual use for metal and solid wood doors
 No cut-outs on inactive door
 Non-handed
- > Certifications: Ideal for wood veneer doors as smaller profile adds stability to the door
 cUL/UL listed for 3 hour fire-rated doors
 UL 10B and 10C fire tests for door assemblies
 ANSI/BHMA A156.3
- > Finish: 652 satin chrome-plated (US26D)

LHFB820 Universal Automatic Flush Bolts



	Item No.
	911.79.870

Supplied With
 2 - 810 Bolts

Dimensional data not binding. We reserve the right to alter specifications without notice.

- > Area of application: Installed at the top and bottom of fire-rated doors on the inactive leaf
 Top bolt (FB710) automatically engages the curved lip strike every time the inactive door is closed; the bolt remains engaged until it is retracted by depressing the plunger on the face plate.
 Bottom bolt (FB810) will automatically retract when the active door is opened.
- > Features: Simple door preparation
 Easy installation
 Requires (2) Ø1 1/8" (29 mm) holes and simple rectangular faceplate preps
 Dual use for metal and solid wood doors
 No cut-outs on inactive door
 Non-handed
 Ideal for wood veneer doors as smaller profile adds stability to the door
- > Certifications: cUL/UL listed for 3 hour fire-rated doors
 UL 10B and 10C fire tests for door assemblies
 ANSI/BHMA A156.3
- > Finish: 652 satin chrome-plated (US26D)

LHFB780 Universal Self-Latching Flush Bolt



	Item No.
	911.79.871

Supplied With
 FB710 Top bolt
 FB810 Bottom bolt

6

Dimensions in mm
 Inches are approximate

Dimensional data not binding. We reserve the right to alter specifications without notice.

- > Area of application: The top bolt is installed on the top edge of the inactive door. The bottom fire latch bolt (LHFL001) is used to replace the automatic flush bolt. This combination reduces the amount of door prep required.
- > Certification: cUL/UL listed for pairs of fire-rated doors
- > Finish: 652 satin chrome-plated (US26D)

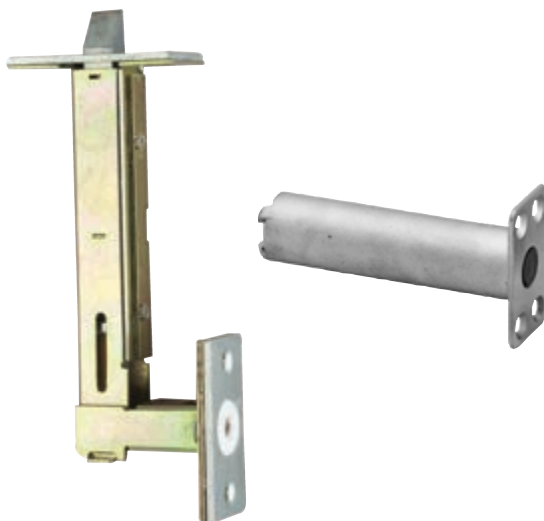
Universal Automatic Flush Bolt Less Bottom Bolt



Model	Item No.
LHFB810 + LHFL001	911.79.872
LHFB810 only	911.79.847

- > Area of application: The top bolt is installed on the top edge of the inactive door. The bottom fire latch bolt (LHFL001) is used to replace the self-latching flush bolt. This combination reduces the amount of door prep required.
- > Certification: cUL/UL listed for pairs of fire-rated doors
- > Finish: 652 satin chrome-plated (US26D)

Universal Self-Latching Flush Bolt Less Bottom Bolt



Model	Item No.
LHFB710 + LHFL001	911.79.873
LHFB710 only	911.79.848

Dimensional data not binding. We reserve the right to alter specifications without notice.

- > Area of application: This fire latch bolt is a temperature actuated bolt. Installs horizontally in the lower edge of the inactive door with a matching hole on the active door. Automatically extends from the inactive door into the active door locking both doors together.
- > Installation: Used with automatic (LHFB810) or self-latching (LHFB710) flush bolts
 - Inactive Door: 1. Measure 6" (152 mm) from bottom of the inactive door
 - 2. Drill $\text{Ø}7/8" \times 3\ 7/16"$ (22 x 87 mm) deep hole for fire latch bolt
 - Active Door: 1. Drill a $\text{Ø}1" \times 1\ 3/4"$ (25 x 44 mm) deep hole for plug at the exact same height as the fire latch bolt
 - 2. Install plug in door

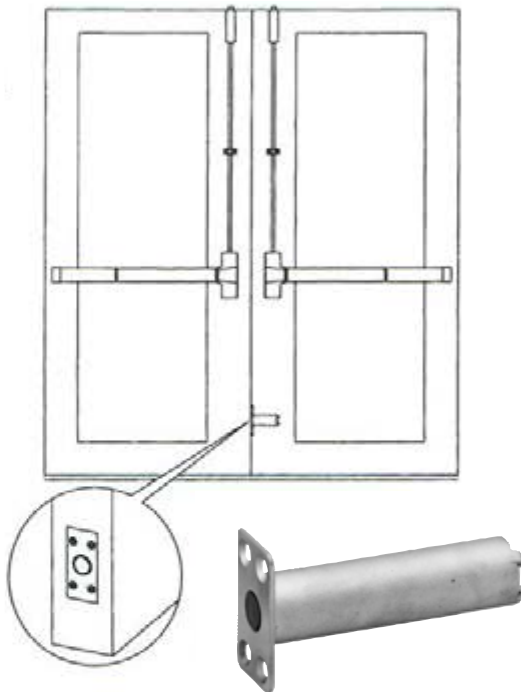
Note

Not for use with other manufacturer's products.

LHFL001



	Item No.
	911.79.047



Item No.	Page No.	Item No.	Page No.	Item No.	Page No.	Item No.	Page No.	Item No.	Page No.
104.69.000	1.20	911.38.075	3.33	911.52.412	3.25	911.79.838	6.4	911.79.953	3.6
104.69.010	1.21	911.38.076	3.33	911.52.413	3.25	911.79.839	6.4	911.79.954	3.7
351.23.000	1.22	911.38.077	3.33	911.52.414	3.25	911.79.847	6.15	911.79.955	3.7
351.23.001	1.22	911.51.180	3.5	911.52.415	3.25	911.79.848	6.15	911.79.956	3.8
351.23.002	1.22	911.51.181	3.5	911.52.416	3.8	911.79.850	4.23	911.79.957	3.8
351.23.003	1.22	911.51.182	3.6	911.52.417	3.8	911.79.851	4.23	911.79.958	3.9
351.23.004	1.22	911.51.183	3.6	911.68.384	6.4	911.79.852	4.23	911.79.959	3.9
351.23.005	1.22	911.51.184	3.7	911.68.385	6.4	911.79.860	4.23	911.79.960	3.10
351.23.006	1.26	911.51.185	3.7	911.68.386	6.4	911.79.861	4.23	911.79.961	3.10
351.23.007	1.26	911.51.186	3.8	911.72.853	4.23	911.79.862	4.23	911.79.962	3.11
351.23.008	1.26	911.51.187	3.8	911.79.004	6.4	911.79.863	4.23	911.79.963	3.11
351.23.010	1.25	911.51.188	3.8	911.79.023	6.11	911.79.865	4.22	911.79.973	4.5
351.23.011	1.25	911.51.189	3.8	911.79.046	6.12	911.79.866	4.22	911.85.000	4.8
351.23.012	1.25	911.51.190	3.9	911.79.047	6.16	911.79.867	4.22	911.85.001	4.8
351.23.013	1.23	911.51.191	3.9	911.79.052	6.12	911.79.868	4.22	911.85.002	4.8
351.23.014	1.23	911.51.192	3.10	911.79.120	3.20	911.79.869	4.22	911.85.003	4.8
351.23.015	1.23	911.51.193	3.10	911.79.121	3.20	911.79.870	6.13	911.85.004	4.8
351.23.016	1.27	911.51.194	3.11	911.79.122	3.20	911.79.871	6.14	911.85.005	4.8
351.23.017	1.27	911.51.195	3.11	911.79.123	3.20	911.79.872	6.15	911.85.006	4.8
351.23.018	1.27	911.52.140	3.38	911.79.336	3.35	911.79.873	6.15	911.85.007	4.8
351.23.020	1.26	911.52.141	3.39	911.79.337	3.35	911.79.880	4.29	911.85.008	4.8
351.23.021	1.26	911.52.335	3.22	911.79.338	3.36	911.79.881	4.29	911.85.010	4.8
351.23.022	1.26	911.52.336	3.22	911.79.339	3.36	911.79.882	4.29	911.85.011	4.8
351.23.023	1.24	911.52.337	3.22	911.79.350	3.40	911.79.883	4.29	911.85.012	4.8
351.23.024	1.24	911.52.338	3.22	911.79.351	3.40	911.79.884	4.29	911.85.013	4.8
351.23.025	1.24	911.52.342	3.24	911.79.352	3.40	911.79.885	4.29	911.85.014	4.8
351.23.026	1.28	911.52.343	3.24	911.79.353	3.40	911.79.886	4.29	911.85.015	4.8
351.23.027	1.28	911.52.344	3.24	911.79.354	3.41	911.79.887	4.29	911.85.016	4.8
351.23.028	1.28	911.52.345	3.24	911.79.355	3.41	911.79.888	4.29	911.85.017	4.8
351.23.030	1.27	911.52.346	3.25	911.79.480	3.42	911.79.889	4.29	911.85.018	4.8
351.23.031	1.27	911.52.347	3.25	911.79.481	3.42	911.79.900	4.19	911.85.020	4.10
351.23.032	1.27	911.52.348	3.25	911.79.482	3.42	911.79.901	4.19	911.85.021	4.10
351.23.033	1.25	911.52.349	3.25	911.79.483	3.42	911.79.902	4.19	911.85.022	4.10
351.23.034	1.25	911.52.374	3.19	911.79.485	3.23	911.79.903	4.19	911.85.023	4.10
351.23.035	1.25	911.52.375	3.19	911.79.486	3.23	911.79.904	4.19	911.85.024	4.10
351.23.036	1.29	911.52.376	3.19	911.79.487	3.23	911.79.906	4.19	911.85.025	4.10
351.23.037	1.29	911.52.377	3.19	911.79.488	3.23	911.79.907	4.19	911.85.026	4.10
351.23.038	1.29	911.52.380	3.22	911.79.500	3.44	911.79.908	4.19	911.85.027	4.10
351.23.040	1.28	911.52.381	3.22	911.79.501	3.44	911.79.909	4.19	911.85.028	4.10
351.23.041	1.28	911.52.382	3.22	911.79.502	3.44	911.79.910	4.19	911.85.030	4.10
351.23.042	1.28	911.52.383	3.22	911.79.504	3.44	911.79.920	4.8	911.85.031	4.10
793.00.131	3.27	911.52.384	3.23	911.79.506	3.41	911.79.921	4.8	911.85.032	4.10
793.00.132	3.27	911.52.385	3.23	911.79.507	3.41	911.79.922	4.8	911.85.033	4.10
793.00.133	3.43	911.52.386	3.23	911.79.508	3.41	911.79.923	4.8	911.85.034	4.10
793.00.134	3.43	911.52.387	3.23	911.79.509	3.41	911.79.924	4.8	911.85.035	4.10
793.00.135	3.43	911.52.392	3.20	911.79.510	4.5	911.79.925	4.8	911.85.036	4.10
823.31.000	5.10	911.52.393	3.20	911.79.511	4.5	911.79.926	4.8	911.85.037	4.10
903.03.200	6.3	911.52.394	3.20	911.79.512	4.5	911.79.928	4.8	911.85.038	4.10
903.03.202	6.3	911.52.395	3.20	911.79.513	4.5	911.79.929	4.8	911.85.040	4.9
903.03.204	6.3	911.52.396	3.23	911.79.514	4.5	911.79.930	4.5	911.85.041	4.9
903.03.210	6.3	911.52.397	3.23	911.79.515	4.5	911.79.931	4.5	911.85.042	4.9
903.03.212	6.3	911.52.398	3.23	911.79.516	4.5	911.79.932	4.5	911.85.043	4.9
903.03.214	6.3	911.52.399	3.23	911.79.517	4.5	911.79.933	4.5	911.85.044	4.9
903.03.220	6.3	911.52.400	3.19	911.79.518	4.5	911.79.934	4.5	911.85.045	4.9
903.03.222	6.3	911.52.401	3.19	911.79.519	4.5	911.79.935	4.5	911.85.046	4.9
903.03.224	6.3	911.52.402	3.19	911.79.520	4.5	911.79.936	4.5	911.85.047	4.9
903.03.230	6.3	911.52.403	3.19	911.79.521	4.5	911.79.937	4.5	911.85.048	4.9
903.03.232	6.3	911.52.404	3.22	911.79.522	4.5	911.79.939	4.5	911.85.050	4.9
903.03.234	6.3	911.52.405	3.22	911.79.523	4.5	911.79.941	3.26	911.85.051	4.9
903.03.240	6.3	911.52.406	3.22	911.79.524	4.5	911.79.943	3.26	911.85.052	4.9
903.03.250	6.3	911.52.407	3.22	911.79.525	4.5	911.79.944	3.26	911.85.053	4.9
911.24.084	6.4	911.52.408	3.24	911.79.526	4.5	911.79.945	3.26	911.85.054	4.9
911.38.072	3.32	911.52.409	3.24	911.79.527	4.5	911.79.950	3.5	911.85.055	4.9
911.38.073	3.32	911.52.410	3.24	911.79.528	4.5	911.79.951	3.5	911.85.056	4.9
911.38.074	3.32	911.52.411	3.24	911.79.711	6.11	911.79.952	3.6	911.85.057	4.9

Dimensional data not binding. We reserve the right to alter specifications without notice.

Dimensions in mm
Inches are approximate

Item No.	Page No.	Item No.	Page No.	Item No.	Page No.	Item No.	Page No.	Item No.	Page No.
911.85.058	4.9	916.60.591	4.31	926.39.870	1.3	926.39.944	1.4	931.65.221	2.14
911.85.060	4.10	916.60.592	4.31	926.39.880	1.5	926.39.945	1.4	931.65.224	2.13
911.85.061	4.10	917.93.040	5.11	926.39.881	1.5	926.39.946	1.18	931.65.225	2.13
911.85.062	4.10	917.93.041	5.12	926.39.882	1.5	926.39.947	1.19	931.65.226	2.13
911.85.063	4.10	917.93.042	5.13	926.39.883	1.5	926.39.948	1.30	931.65.227	2.13
911.85.064	4.10	917.93.043	5.12	926.39.884	1.5	926.39.949	1.30	931.65.228	2.8
911.85.065	4.10	926.39.590	1.34	926.39.885	1.5	926.39.950	1.30	931.65.229	2.8
911.85.066	4.10	926.39.591	1.34	926.39.886	1.5	926.39.951	1.30	931.65.241	2.12
911.85.067	4.10	926.39.592	1.34	926.39.887	1.5	926.39.952	1.30	931.65.242	2.12
911.85.068	4.10	926.39.593	1.34	926.39.888	1.5	926.39.953	1.30	931.65.243	2.12
911.85.070	4.9	926.39.594	1.34	926.39.889	1.5	926.39.954	1.30	931.65.244	2.12
911.85.071	4.9	926.39.595	1.34	926.39.890	1.5	926.39.955	1.30	931.65.245	2.9
911.85.072	4.9	926.39.596	1.34	926.39.891	1.5	926.39.956	1.30	931.65.246	2.9
911.85.073	4.9	926.39.597	1.34	926.39.892	1.5	926.39.957	1.30	931.65.247	2.9
911.85.074	4.9	926.39.598	1.34	926.39.893	1.5	926.39.958	1.30	931.65.248	2.9
911.85.075	4.9	926.39.599	1.34	926.39.894	1.5	926.39.959	1.30	931.65.251	2.10
911.85.076	4.9	926.39.611	1.33	926.39.895	1.5	926.39.960	1.30	931.65.252	2.10
911.85.077	4.9	926.39.612	1.33	926.39.896	1.5	926.39.961	1.30	931.65.281	2.10
911.85.078	4.9	926.39.613	1.33	926.39.897	1.5	926.39.962	1.30	931.65.282	2.10
911.85.080	4.8	926.39.614	1.33	926.39.898	1.5	926.39.963	1.30	931.65.291	2.13
911.85.081	4.8	926.39.615	1.33	926.39.899	1.5	926.39.964	1.30	931.65.292	2.13
911.85.082	4.8	926.39.616	1.33	926.39.900	1.4	926.39.965	1.30	931.65.542	6.9
911.85.083	4.8	926.39.617	1.33	926.39.901	1.4	926.39.966	1.30	931.65.543	6.9
911.85.084	4.8	926.39.618	1.33	926.39.902	1.4	926.39.967	1.30	931.65.544	6.10
911.85.085	4.8	926.39.619	1.33	926.39.903	1.4	926.39.968	1.31	931.65.545	6.10
911.85.086	4.8	926.39.620	1.33	926.39.904	1.4	926.39.969	1.31	931.65.547	2.3
911.85.087	4.8	926.39.631	1.33	926.39.905	1.4	926.39.970	1.31	931.65.548	2.4
911.85.088	4.8	926.39.632	1.33	926.39.906	1.4	926.39.971	1.31	931.65.549	2.4
911.85.090	4.10	926.39.633	1.33	926.39.907	1.4	926.39.972	1.31	931.65.550	2.5
911.85.091	4.10	926.39.634	1.33	926.39.908	1.4	926.39.973	1.31	931.65.551	2.6
911.85.092	4.10	926.39.635	1.33	926.39.909	1.4	926.39.974	1.31	931.65.552	2.3
911.85.093	4.10	926.39.636	1.33	926.39.910	1.7	926.39.975	1.31	931.65.553	2.4
911.85.094	4.10	926.39.637	1.33	926.39.911	1.7	926.39.976	1.31	931.65.554	2.4
911.85.095	4.10	926.39.638	1.33	926.39.912	1.7	926.39.977	1.31	931.65.555	2.5
911.85.096	4.10	926.39.639	1.33	926.39.913	1.7	926.39.978	1.31	931.65.556	2.6
911.85.097	4.10	926.39.640	1.33	926.39.914	1.7	926.39.979	1.31	931.65.557	2.3
911.85.098	4.10	926.39.672	1.32	926.39.915	1.7	926.39.980	1.31	931.65.558	2.4
911.85.100	4.9	926.39.673	1.32	926.39.916	1.6	926.39.981	1.31	931.65.559	2.4
911.85.101	4.9	926.39.674	1.32	926.39.917	1.6	926.39.982	1.31	931.65.560	6.8
911.85.102	4.9	926.39.675	1.32	926.39.918	1.6	926.39.983	1.31	931.65.931	2.11
911.85.103	4.9	926.39.676	1.32	926.39.919	1.6	926.39.984	1.31	931.65.938	2.11
911.85.104	4.9	926.39.677	1.32	926.39.920	1.6	926.39.985	1.31	931.65.980	2.14
911.85.105	4.9	926.39.678	1.32	926.39.921	1.6	926.39.986	1.31	937.01.300	6.6
911.85.106	4.9	926.39.679	1.32	926.39.922	1.6	926.39.987	1.31	937.01.301	6.6
911.85.107	4.9	926.39.680	1.32	926.39.923	1.6	926.39.988	1.32	937.13.300	6.6
911.85.108	4.9	926.39.681	1.32	926.39.924	1.6	926.39.989	1.32	937.13.310	6.6
912.02.160	5.16	926.39.684	1.3	926.39.925	1.6	926.39.990	1.32	937.13.340	6.6
912.02.162	5.16	926.39.694	1.3	926.39.926	1.6	926.39.991	1.32	937.13.341	6.6
912.05.802	5.17	926.39.704	1.3	926.39.927	1.6	926.39.992	1.32	937.54.904	6.5
912.05.803	5.17	926.39.714	1.3	926.39.928	1.6	926.39.993	1.32	937.54.930	6.5
912.05.804	5.18	926.39.724	1.3	926.39.929	1.6	926.39.994	1.32	937.54.931	6.5
916.60.561	4.30	926.39.734	1.3	926.39.930	1.6	926.39.995	1.32	937.54.932	6.5
916.60.562	4.30	926.39.744	1.3	926.39.931	1.6	926.39.996	1.32	937.54.933	6.5
916.60.563	4.30	926.39.754	1.3	926.39.932	1.6	926.39.997	1.32	937.54.934	6.5
916.60.571	4.30	926.39.764	1.3	926.39.933	1.6	931.65.200	2.7	937.94.077	6.5
916.60.572	4.30	926.39.774	1.3	926.39.934	1.6	931.65.201	2.7	938.42.000	6.6
916.60.573	4.30	926.39.780	1.3	926.39.935	1.6	931.65.211	2.14		
916.60.574	4.30	926.39.790	1.3	926.39.936	1.4	931.65.212	2.14		
916.60.580	4.31	926.39.800	1.3	926.39.937	1.4	931.65.213	2.11		
916.60.581	4.31	926.39.810	1.3	926.39.938	1.4	931.65.214	2.11		
916.60.582	4.31	926.39.820	1.3	926.39.939	1.4	931.65.215	2.8		
916.60.583	4.31	926.39.830	1.3	926.39.940	1.4	931.65.216	2.8		
916.60.585	4.30	926.39.840	1.3	926.39.941	1.4	931.65.217	2.11		
916.60.586	4.30	926.39.850	1.3	926.39.942	1.4	931.65.218	2.11		
916.60.590	4.31	926.39.860	1.3	926.39.943	1.4	931.65.219	2.14		